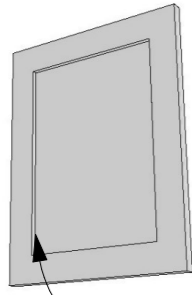
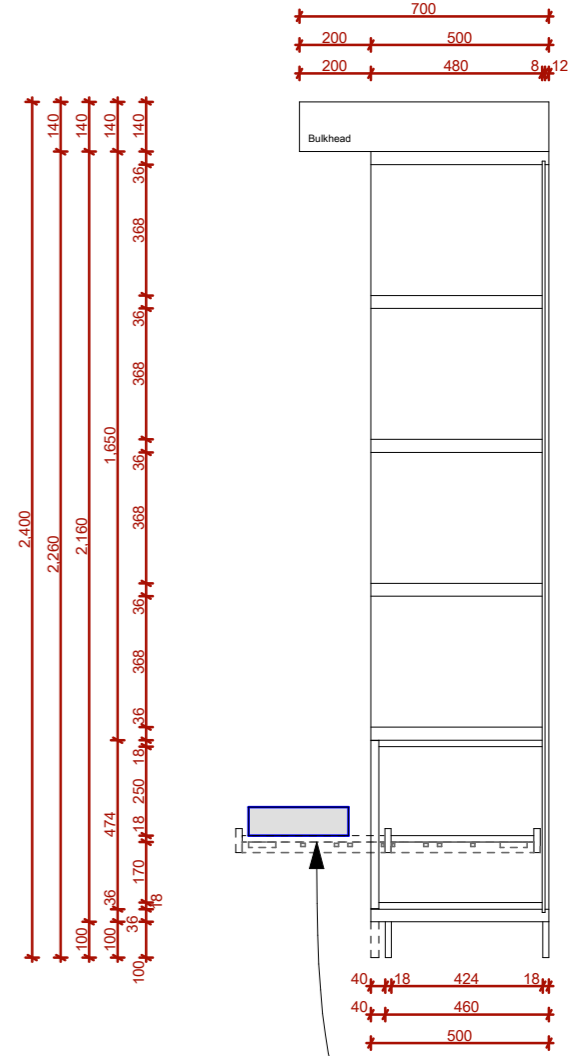


Front View



Section A-A



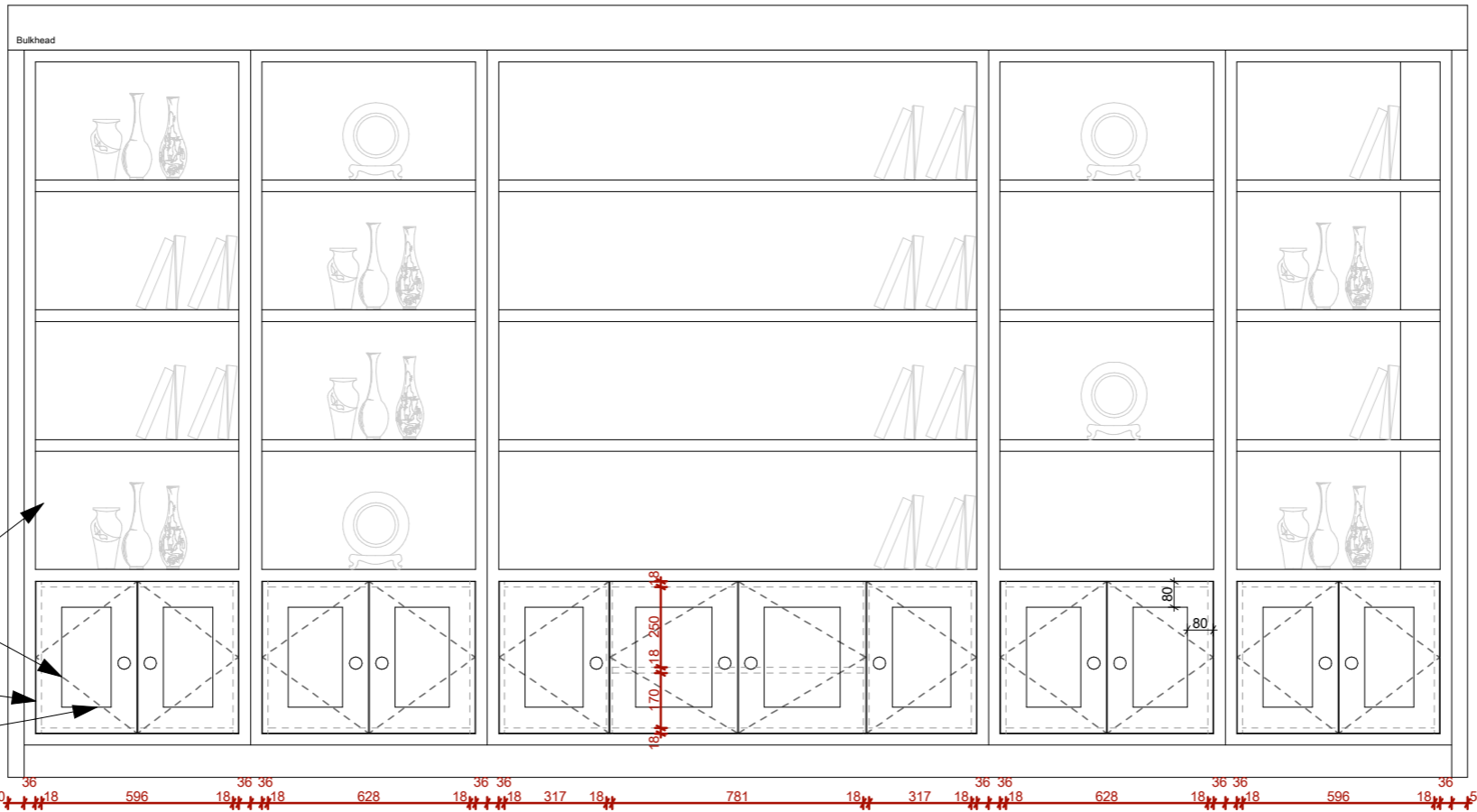
depth 5mm

The internal and external are spray finish Farrow and Ball - Stiffkey Blue no. 281, sheen 20%

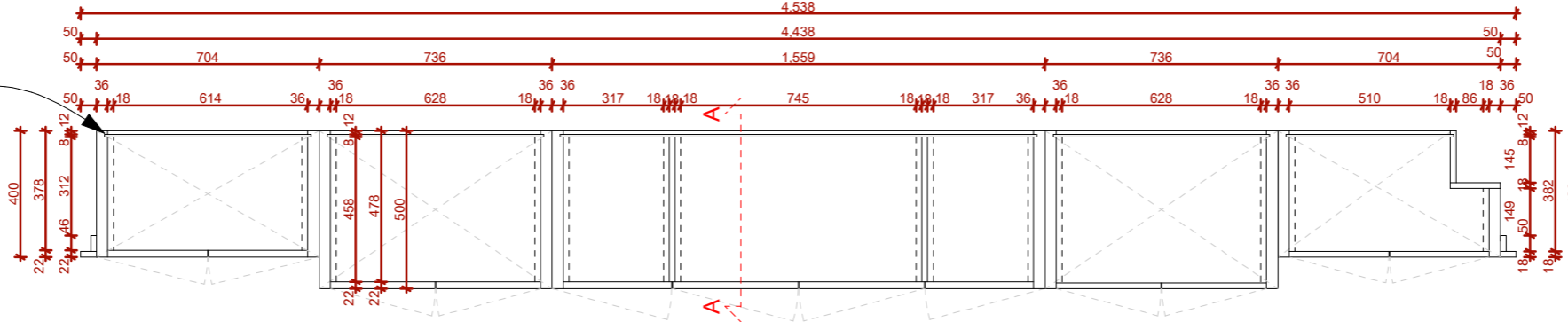


Each door has 2 BLUM Hinges Opening 90 ° degree

Sample by AG Meridian



Plan View



Behind the wardrobe: MDF hardboard 8mm
Spray finish Farrow and Ball - Stiffkey Blue no. 281, sheen 20%

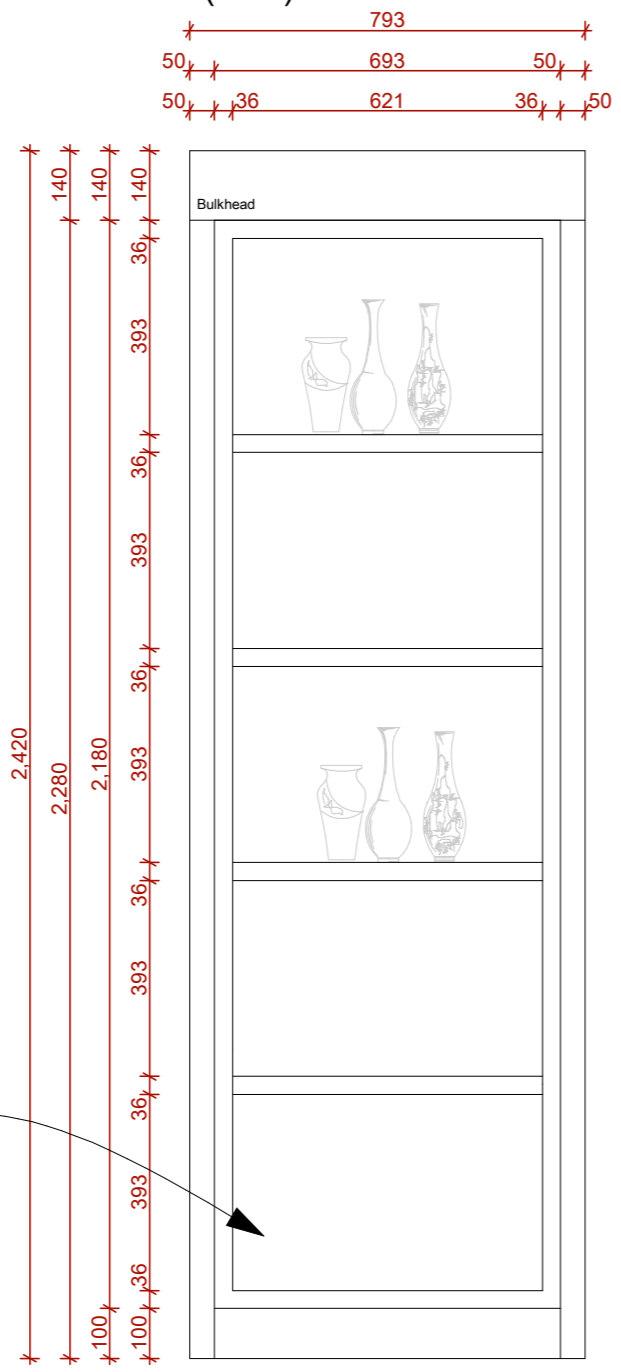
Drawer BLUM Movento 400mm depth



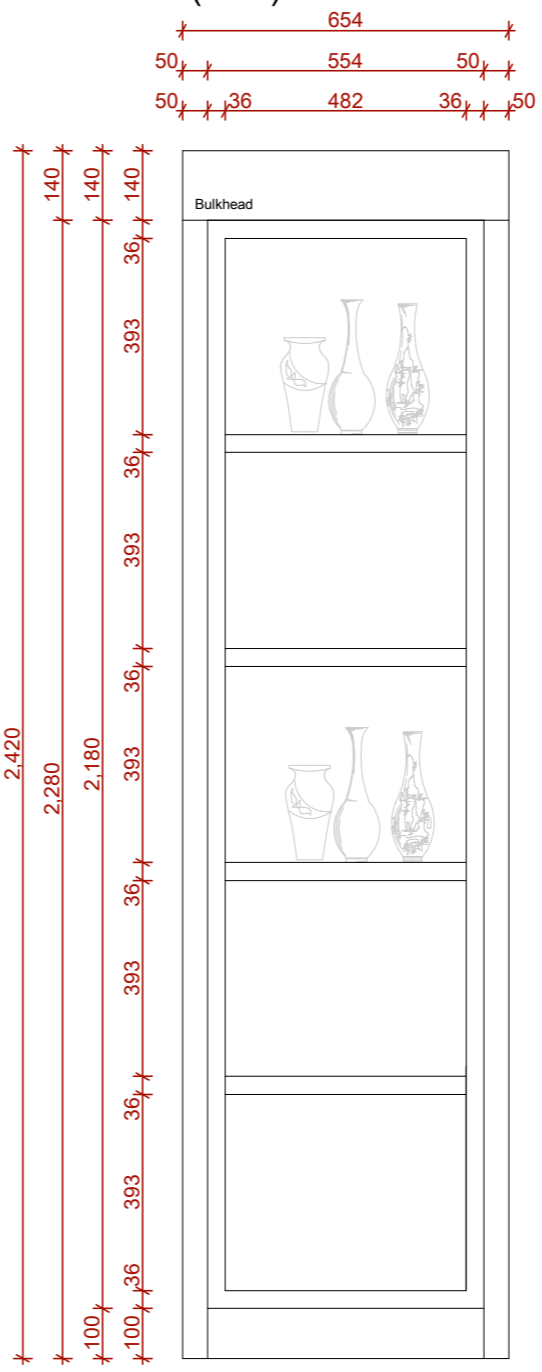
SITE:	CLIENT:
TITLE:	Dv.
Media Unit 01	ARCHITECT:
	F.B.

SCALE AT A3:	DATE:	DRAWN:	CHECKED:
	04/12/23	FB	
PROJECT NO:	DRAWING NO:	REVISION:	
011	TH.01	A	

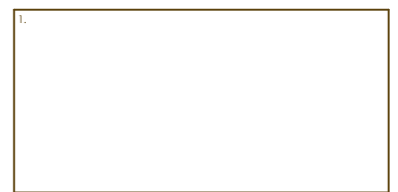
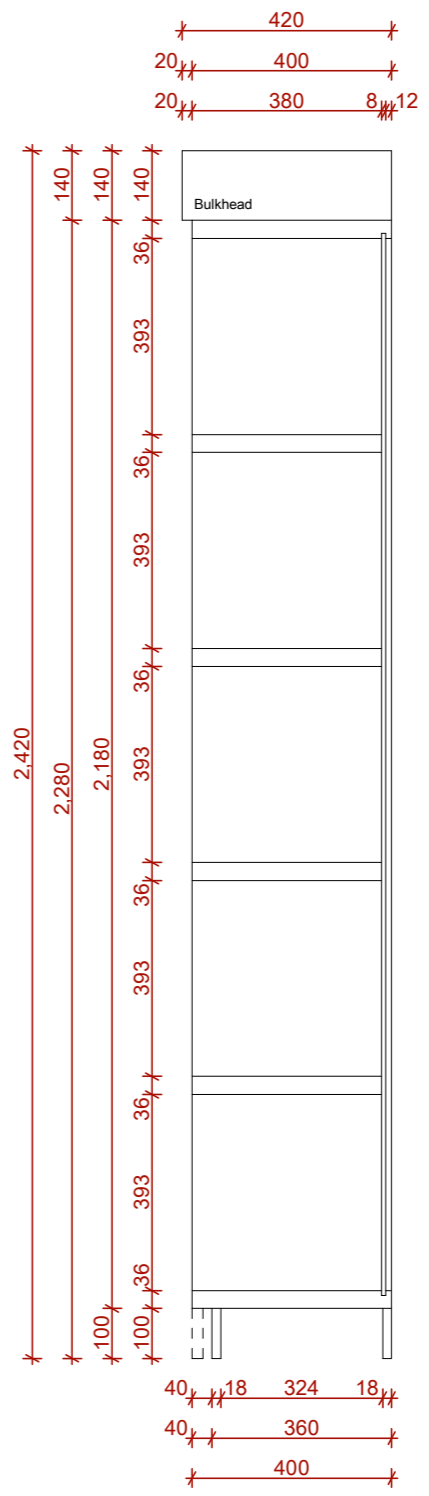
Front View
(J-02)



Front View
(J-03)



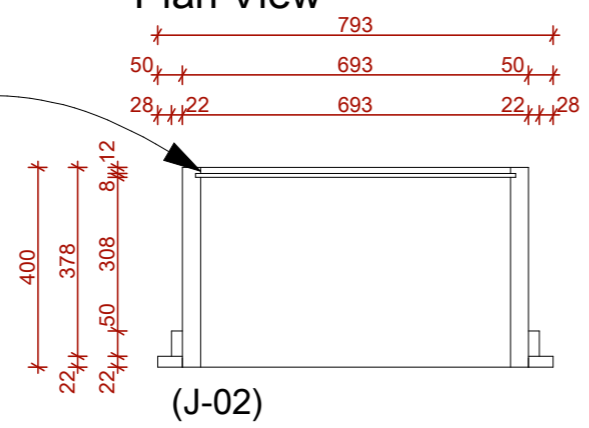
Section A-A



The internal and external are s pry finish (F&B All White No.2005)

Plan View

Behind the wardrobe:
MDF hardboard 8mm
Spry finish
(F&B All White No.2005)



(J-03)



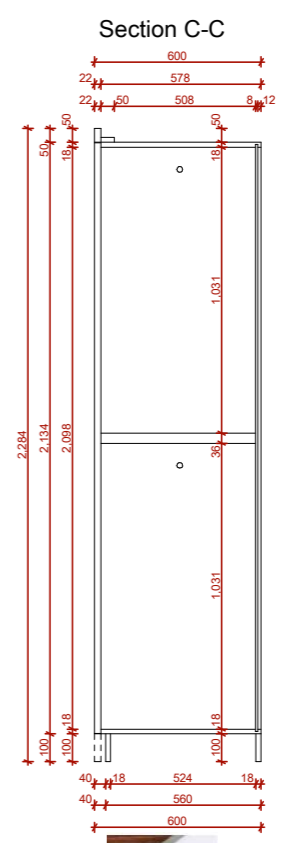
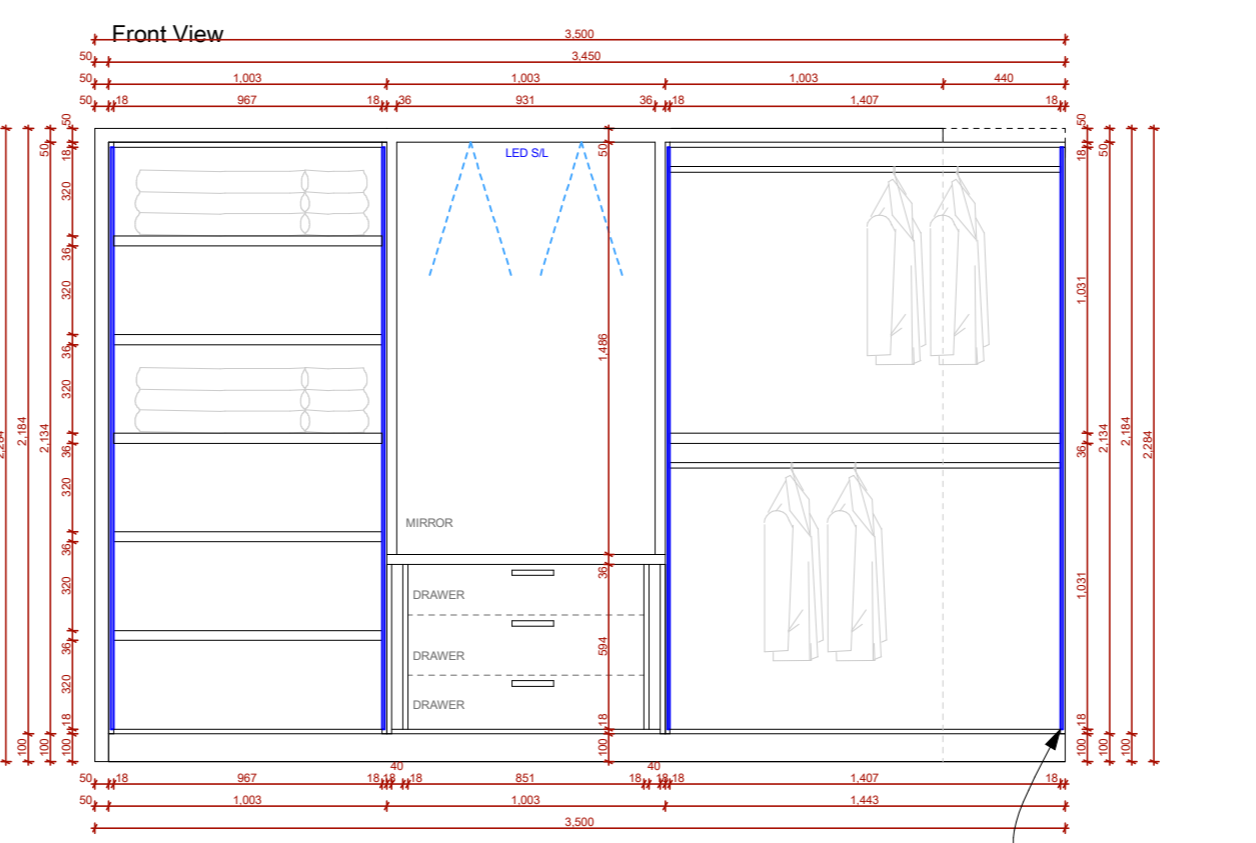
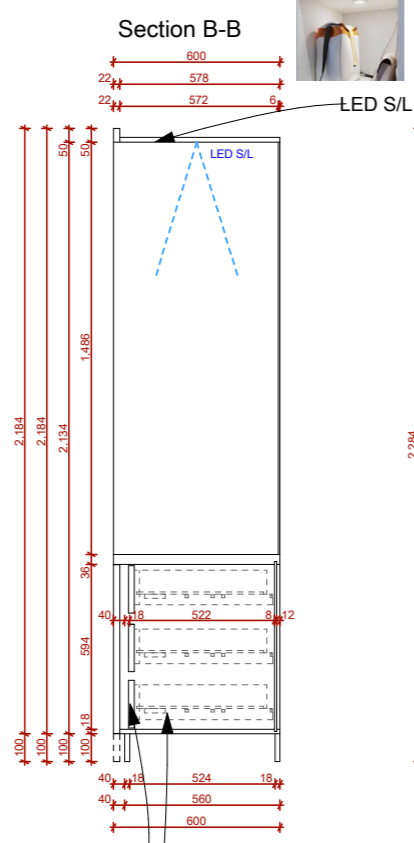
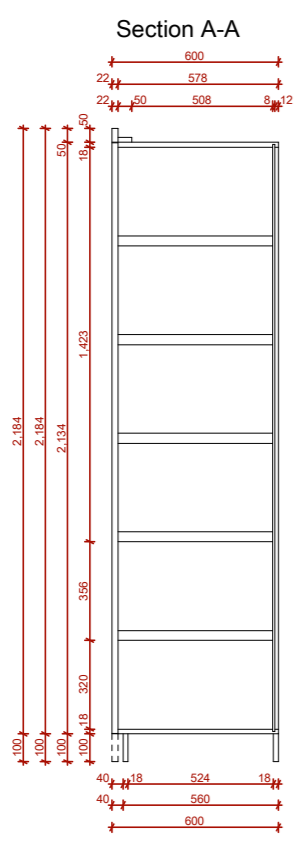
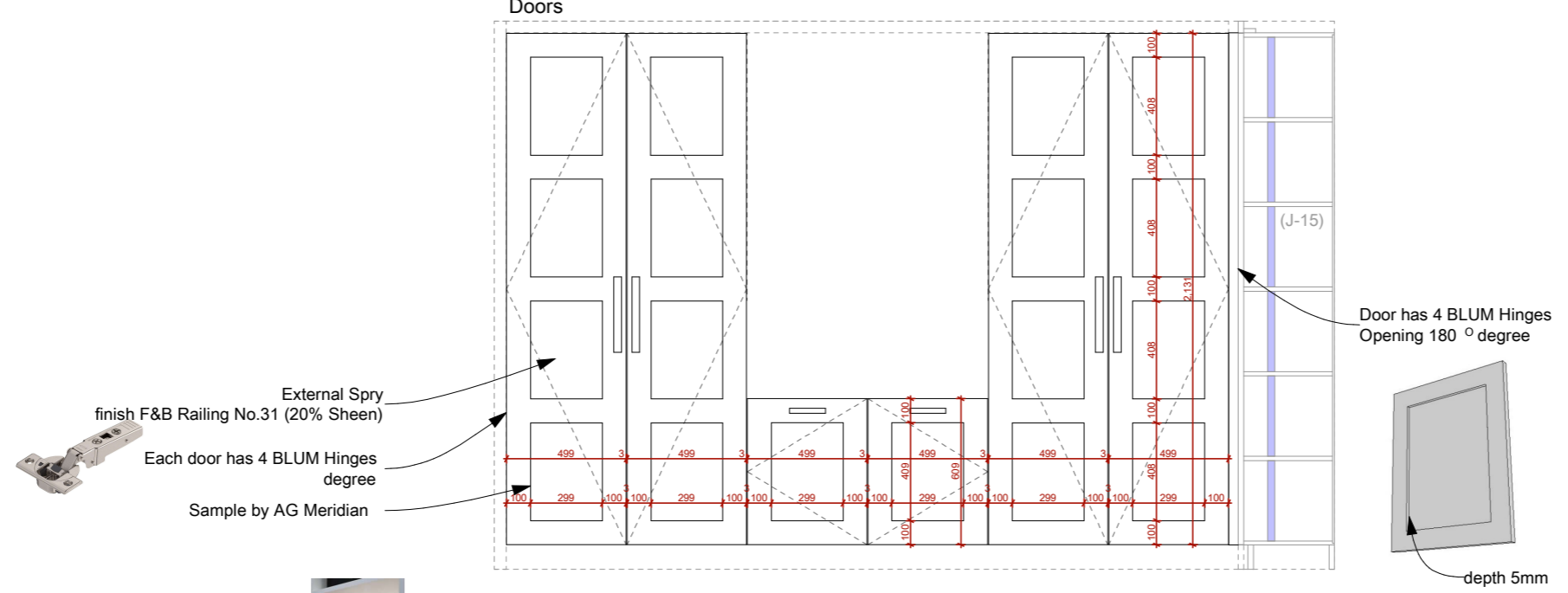
SITE:
TITLE:
Bookcase
02, 03

CLIENT:
Dv.
ARCHITECT:
F.B.

SCALE AT A3:
PROJECT NO:
011

DATE:
04/12/23
DRAWING NO:
TH.01

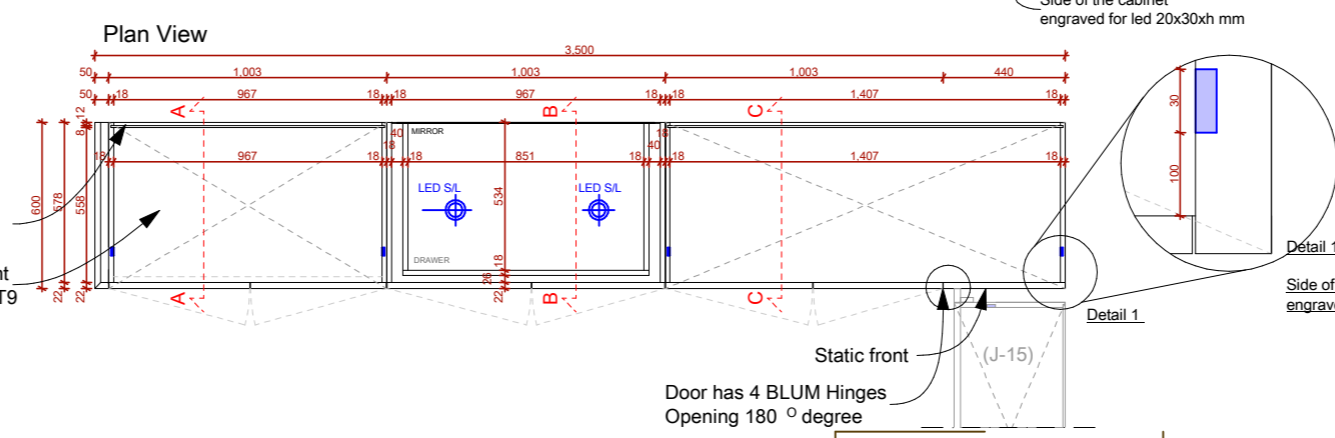
DRAWN:
FB
CHECKED:
REVISION:
A



The internal (EGGER Solid Light Grey U7081 ST9
Drawer BLUM Tandem plus Blumotion
Soft close drawer slide 500mm depth

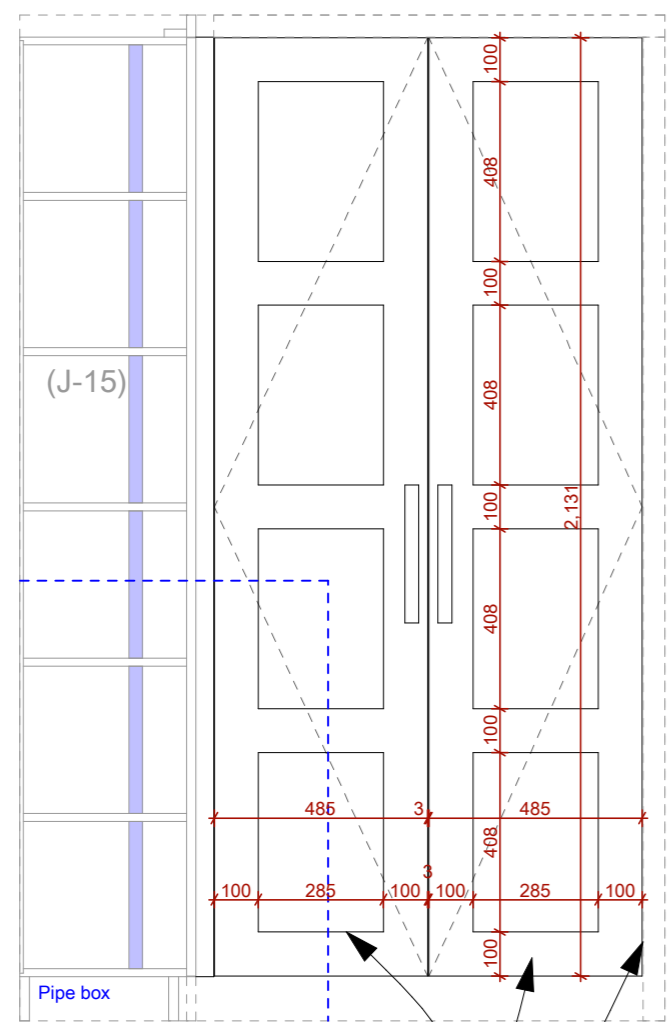
Behind the wardrobe: MDF hardboard 8mm

The internal (EGGER Solid Light Grey U7081 ST9



SITE:	CLIENT: Dv.	SCALE AT A3:	DATE: 04/12/23	DRAWN: FB	CHECKED:
TITLE: Wardrobe 04 Principle dressing	ARCHITECT: F.B.	PROJECT NO: 011	DRAWING NO: TH.01	REVISION: A	

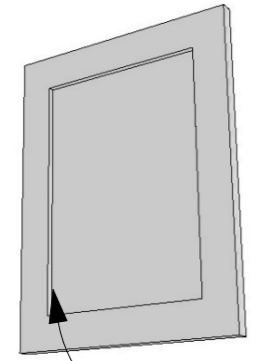
Doors



Sample by AG Meridian
 External Spry finish F&B
 Railing No.31 (20% Sheen)

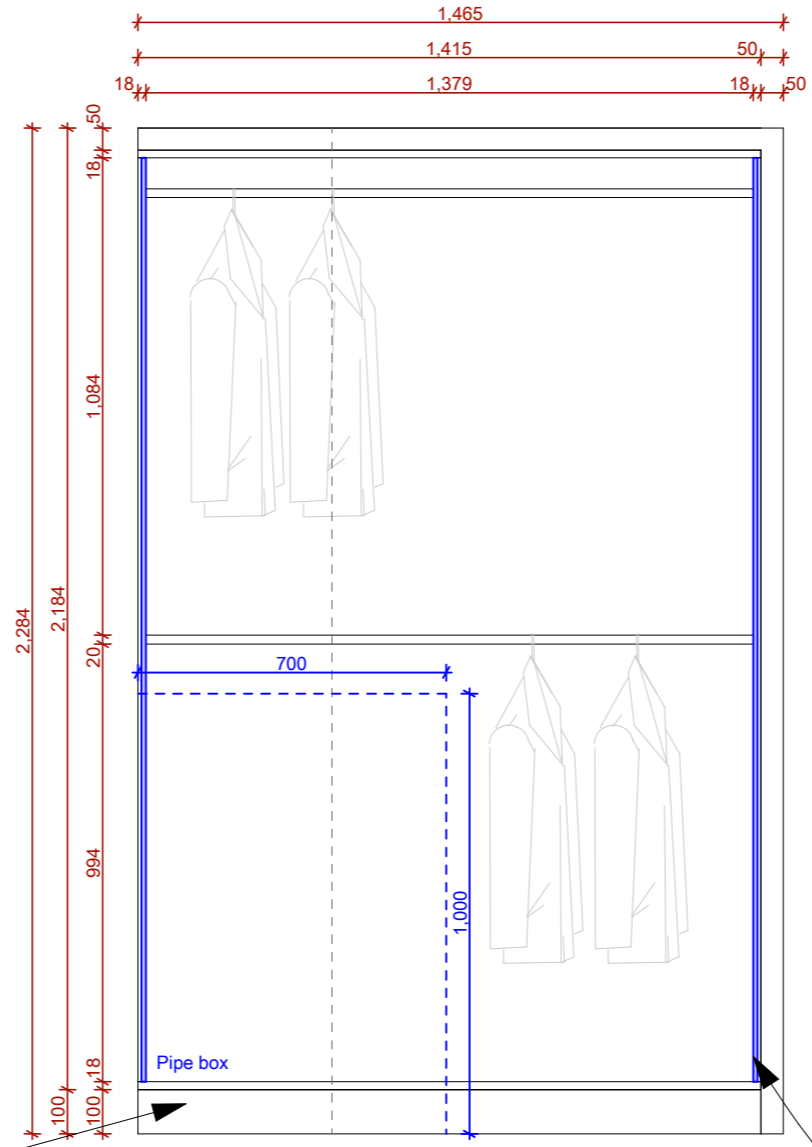


Each door has 4 BLUM Hinges
 Opening 90° degree

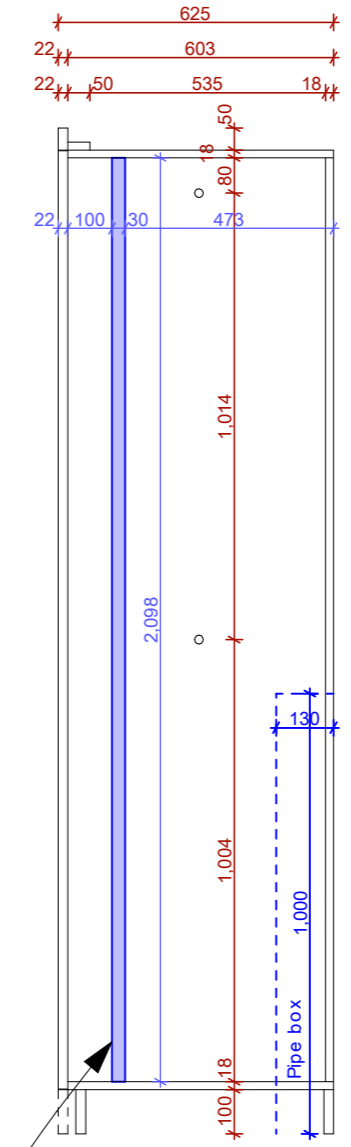


depth 5mm

Front View

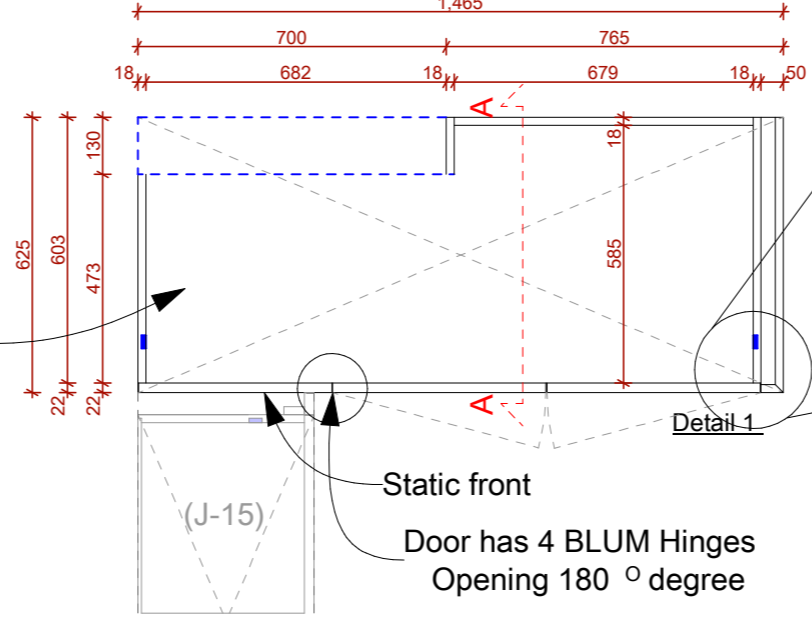


Section A-A



Side of the cabinet
 engraved for led 20x30xh mm

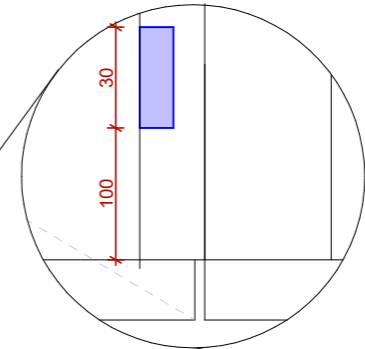
Plan View



The internal
 (EGGER Solid Light
 Grey U7081 ST9)

Static front

Door has 4 BLUM Hinges
 Opening 180° degree



Detail 1

Side of the cabinet
 engraved for led 20x30xh mm



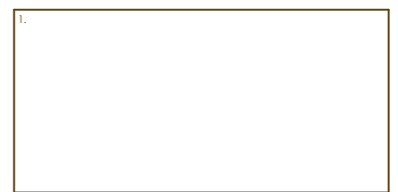
SITE: _____
 TITLE: Wardrobe 05
 Principle dressing

CLIENT: Dv.
 ARCHITECT: F.B.

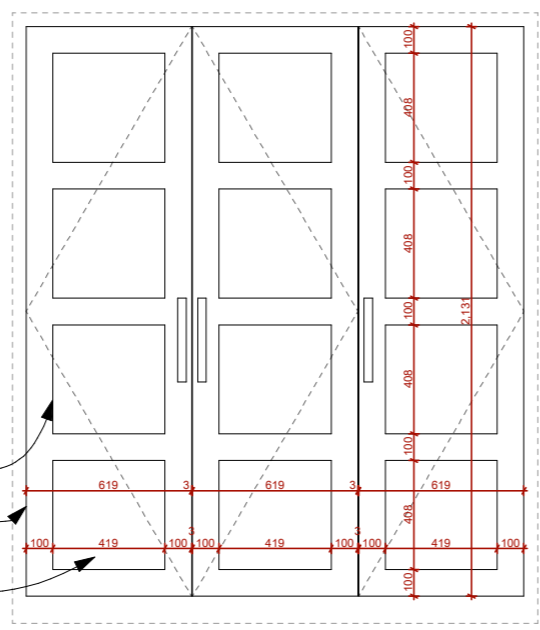
SCALE AT A3:
 PROJECT NO: 011

DATE: 04/12/23
 DRAWING NO: TH.01

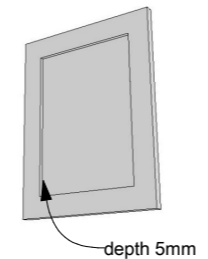
DRAWN: FB
 CHECKED: _____
 REVISION: A



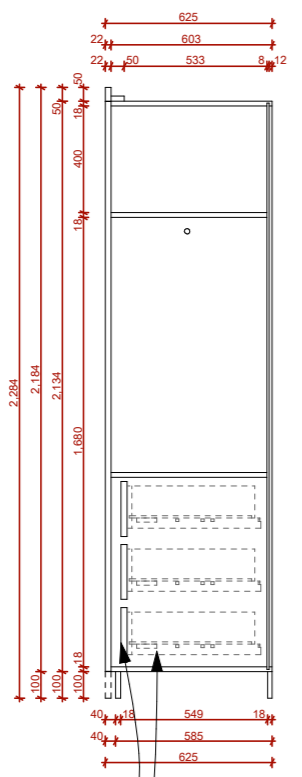
Doors



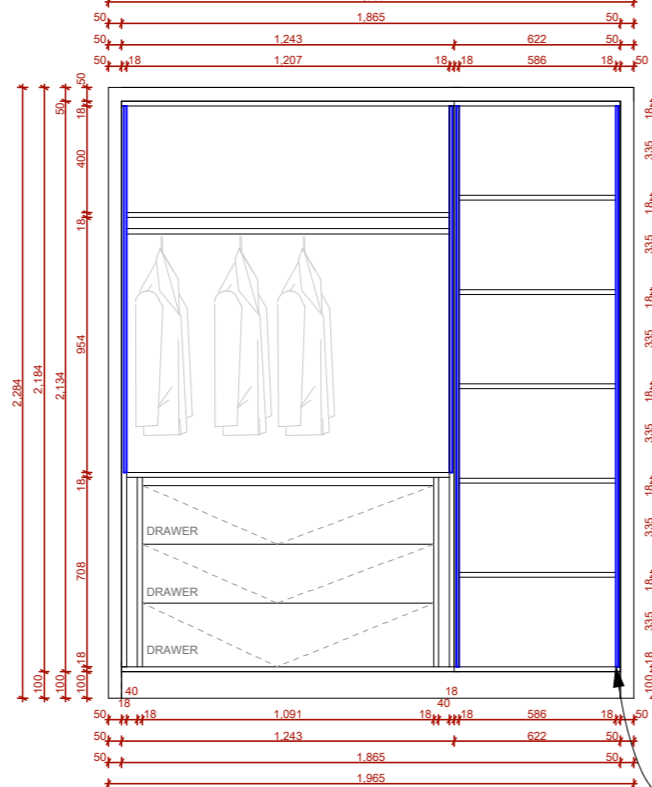
Sample by AG Meridian
Each door has 4 BLUM Hinges
Opening 90 ° degree
External Spry finish F&B
Railing No.31 (20% Sheen)



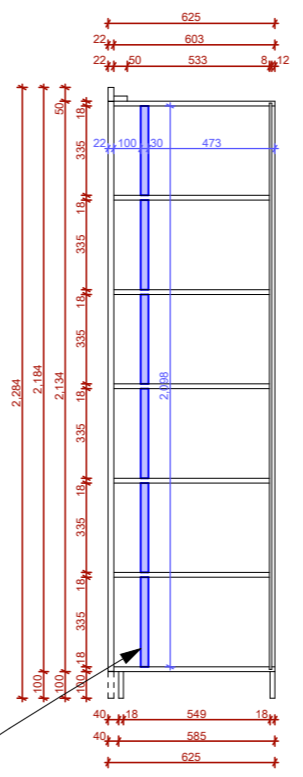
Section A-A



Front View



Section B-B

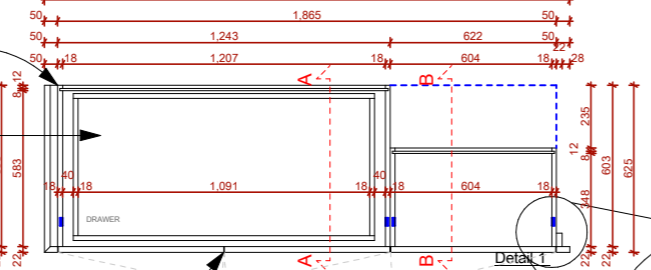


The internal (EGGER Solid Light Grey U7081 ST9
Drawer BLUM Tandem plus Blumotion
Soft close drawer slide
500mm depth

Behind the wardrobe:
MDF hardboard 8mm

The internal (EGGER Solid Light Grey U7081 ST9)

Plan View



Side of the cabinet engraved for led 20x30xh mm



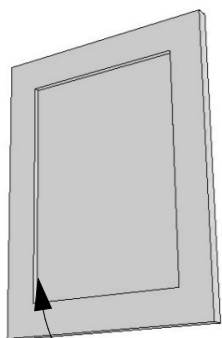
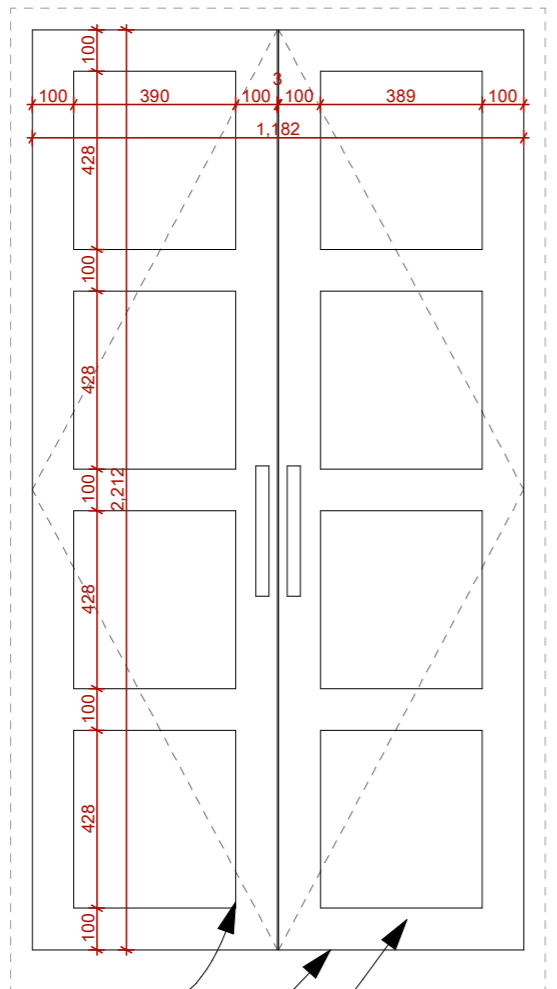
Detail 1
Side of the cabinet engraved for led 20x30xh mm

Doors:
We agreed
wish Julie and Dervish



SITE:	CLIENT: Dv.	SCALE AT A3:	DATE: 04/12/23	DRAWN: FB	CHECKED:
TITLE: Wardrobe 06 Principle dressing	ARCHITECT: F.B.	PROJECT NO: 011	DRAWING NO: TH.01	REVISION: A	

Doors



depth 5mm

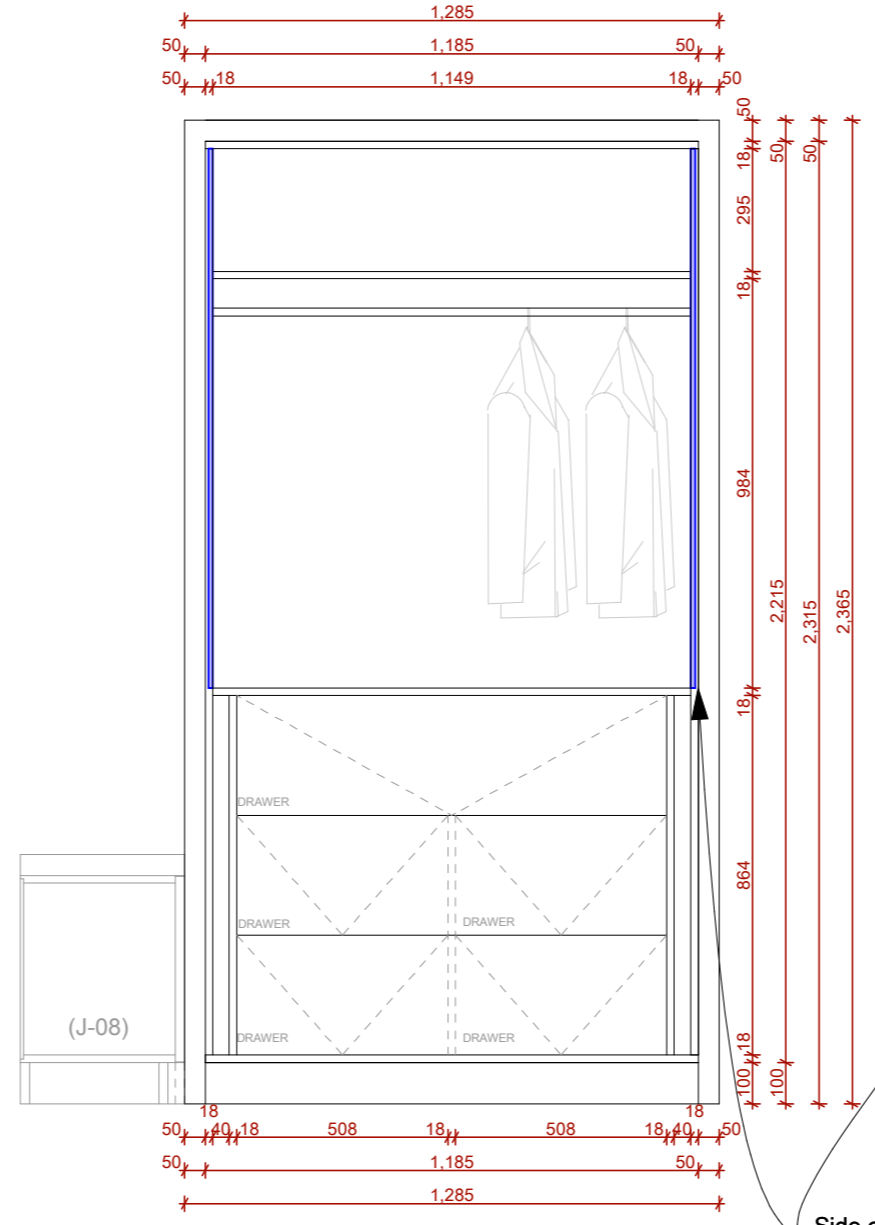
Sample by AG Meridian

Each door has 4 BLUM Hinges
Opening 90 ° degree

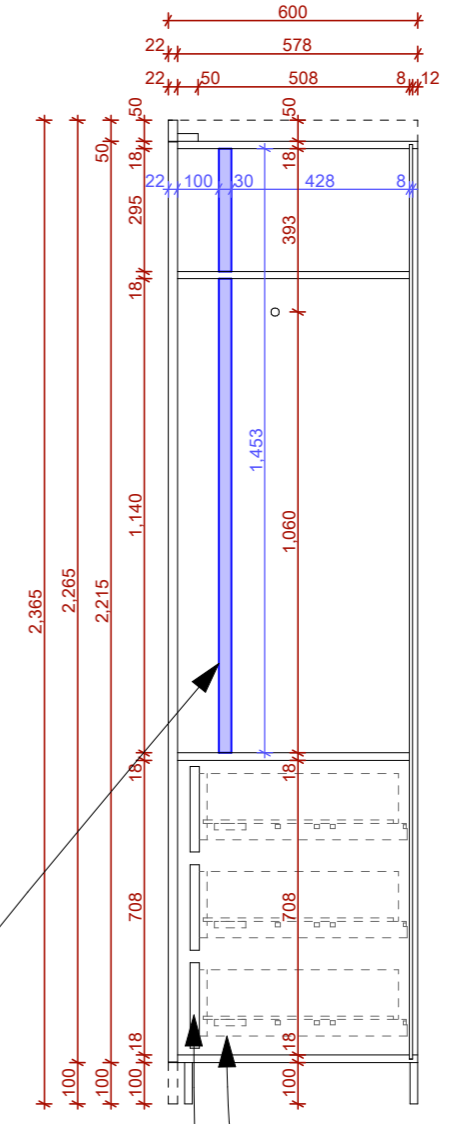


External is MDF F&B
all white No.2005. (20% sheen)

Front View



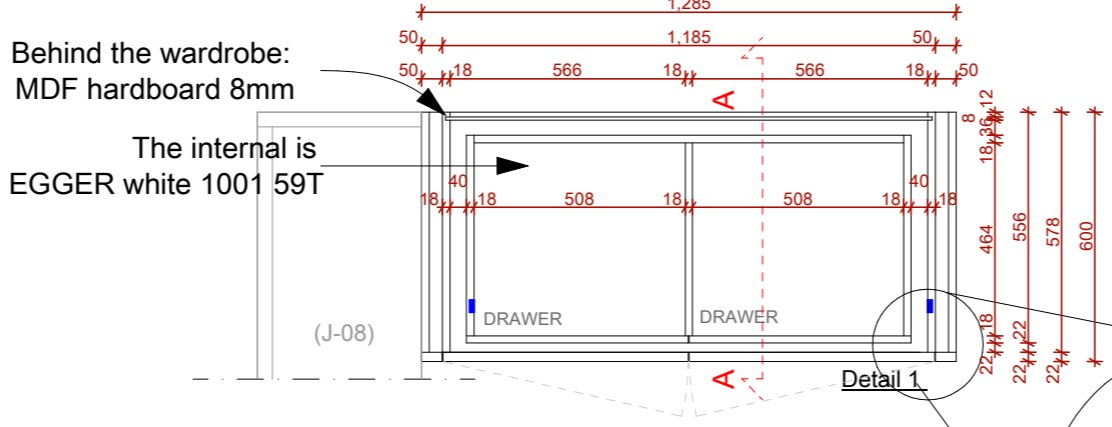
Section A-A



Drawer BLUM
Tandem plus Blumotion
Soft close drawer slide
500mm depth
The internal is
EGGER white 1001 59T

Side of the cabinet
engraved for led 20x30xh mm

Plan View



Behind the wardrobe:
MDF hardboard 8mm

The internal is
EGGER white 1001 59T

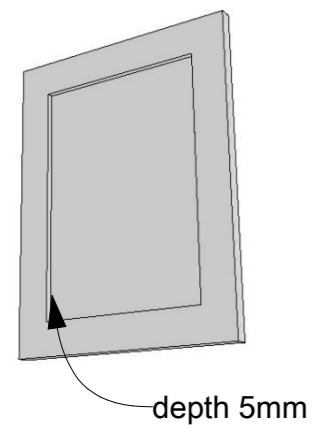


Detail 1

Side of the cabinet
engraved for led 20x30xh mm



SITE:	CLIENT:	SCALE AT A3:	DATE:	DRAWN:	CHECKED:
	Dv.		04/12/23	FB	
TITLE:	ARCHITECT:	PROJECT NO:	DRAWING NO:	REVISION:	
Wardrobe Bedroom 3	F.B.	011	TH.01	A	



depth 5mm

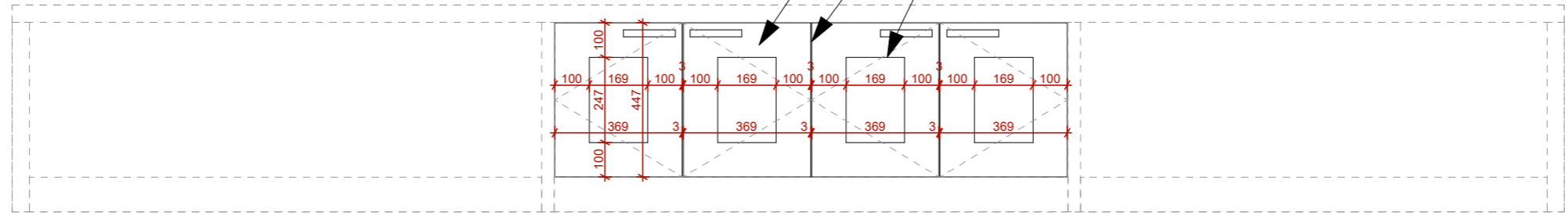
External is MDF F&B all white No.2005. (20% sheen)

Each door has 2 BLUM Hinges Opening 90 ° degree

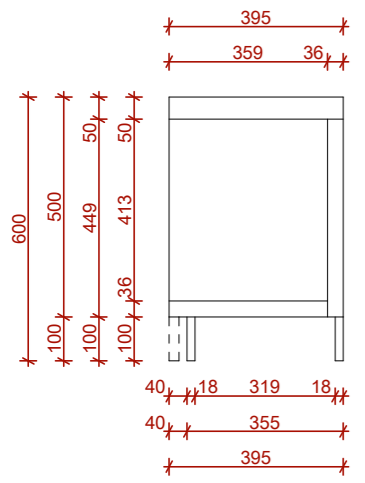


Sample by AG Meridian

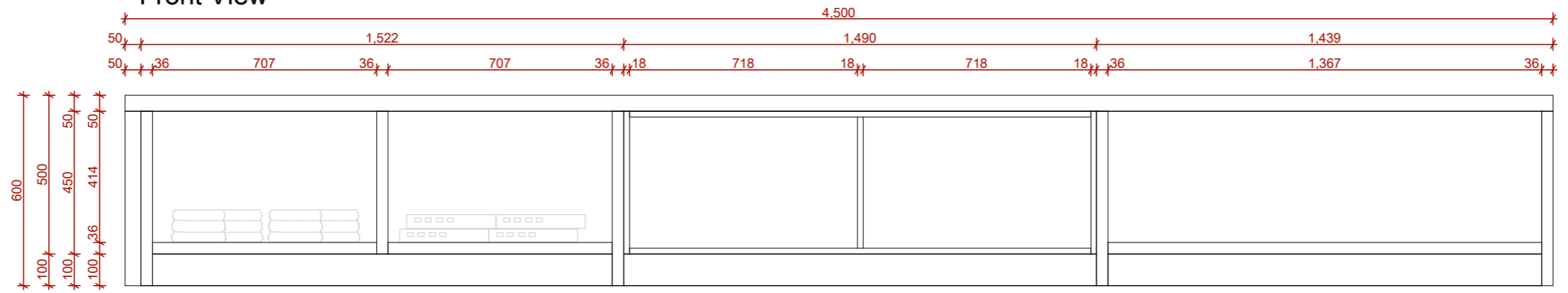
Doors



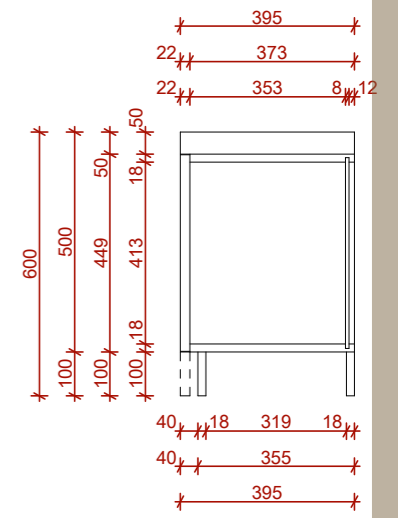
Section A-A



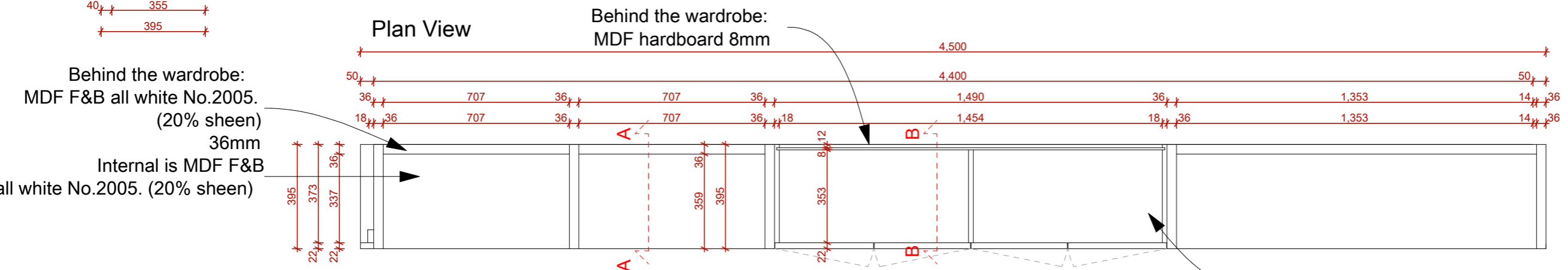
Front View



Section B-B

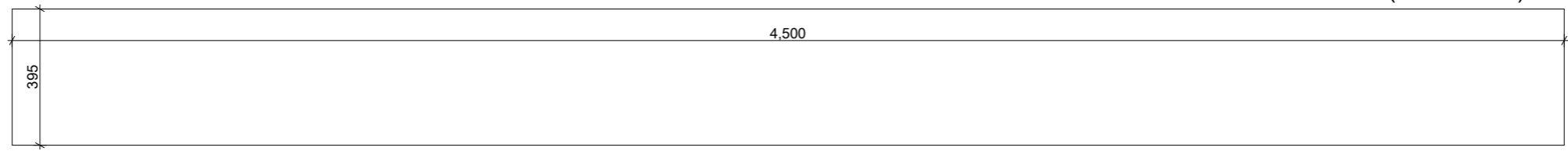


Plan View



Behind the wardrobe:
MDF F&B all white No.2005. (20% sheen)
36mm
Internal is MDF F&B all white No.2005. (20% sheen)

Worktop



Internal is MDF F&B all white No.2005. (20% sheen)



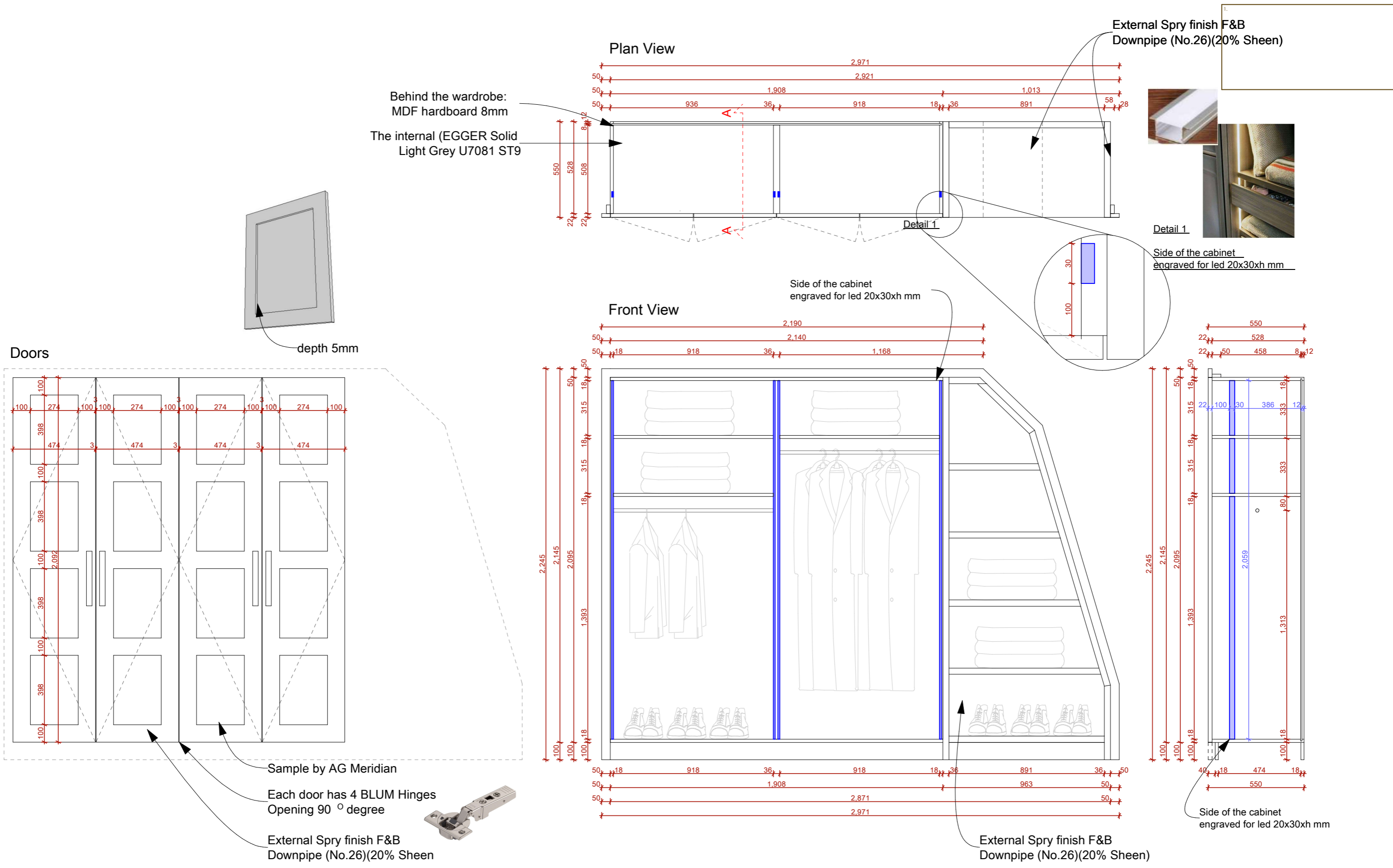
SITE: _____
TITLE: Shelving Bedroom 3

CLIENT: Dv.
ARCHITECT: F.B.

SCALE AT A3:
PROJECT NO: 011

DATE: 04/12/23
DRAWING NO: TH.01

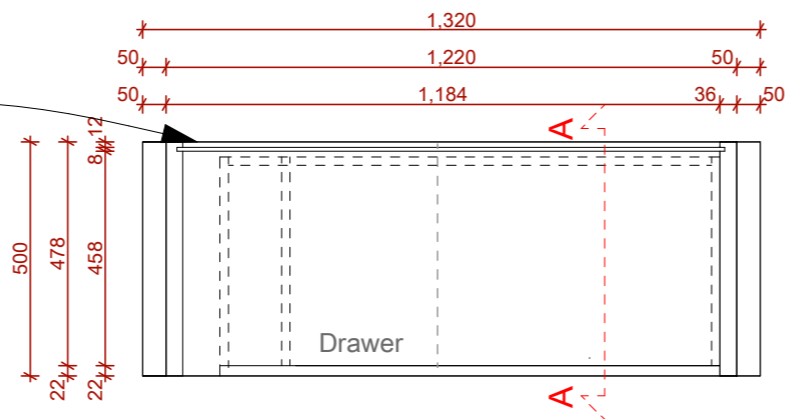
DRAWN: FB
CHECKED: _____
REVISION: A



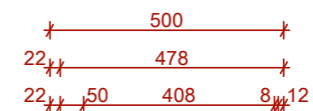
SITE:	CLIENT:	SCALE AT A3:	DATE:	DRAWN:	CHECKED:
	Dv.		04/12/23	FB	
TITLE:	ARCHITECT:	PROJECT NO:	DRAWING NO:	REVISION:	
Dressing Bedroom 6	F.B.	011	TH.01	A	

Behind the wardrobe:
MDF hardboard 8mm

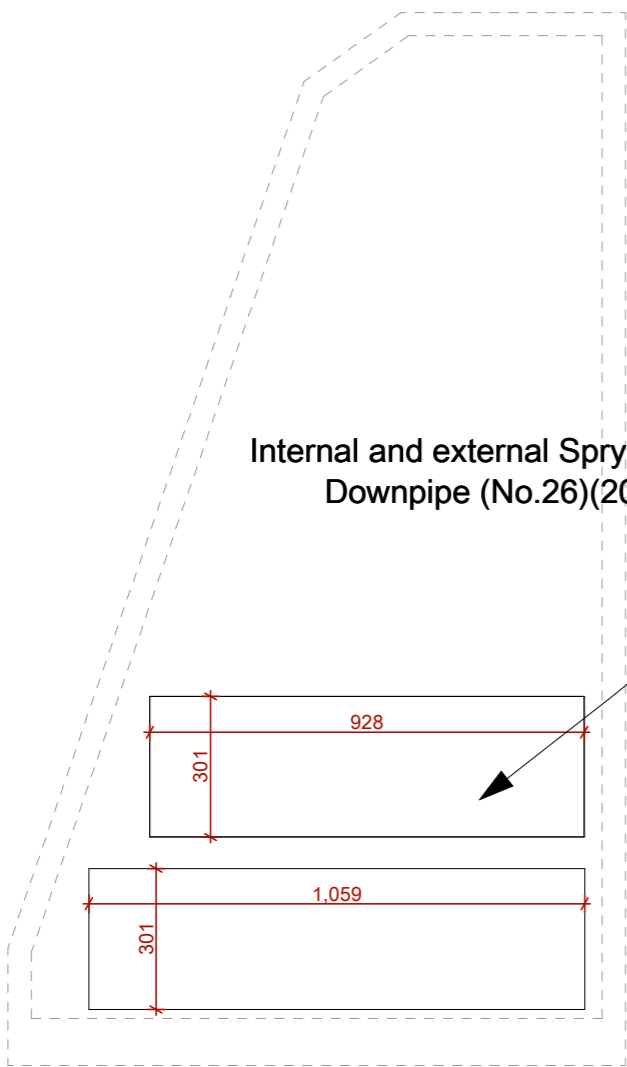
Plan View



Section A-A

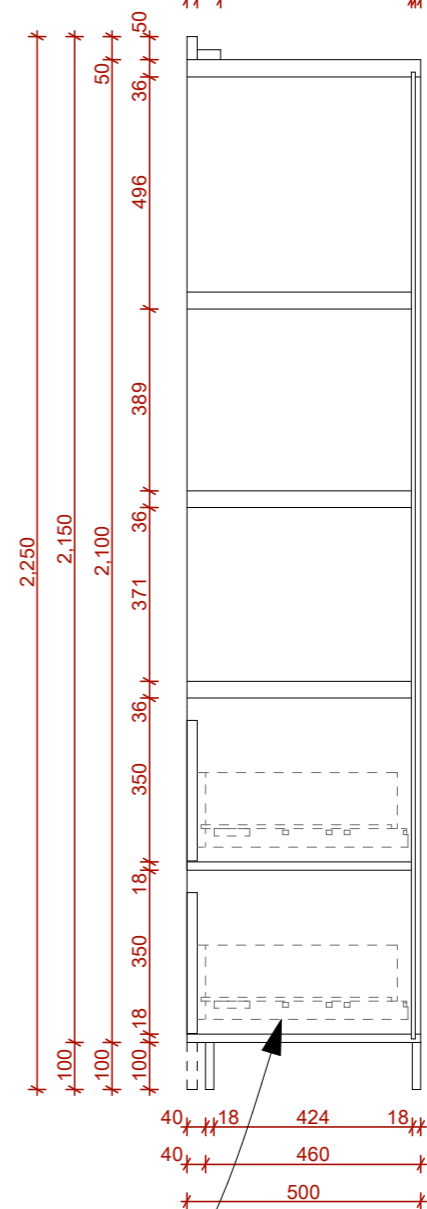
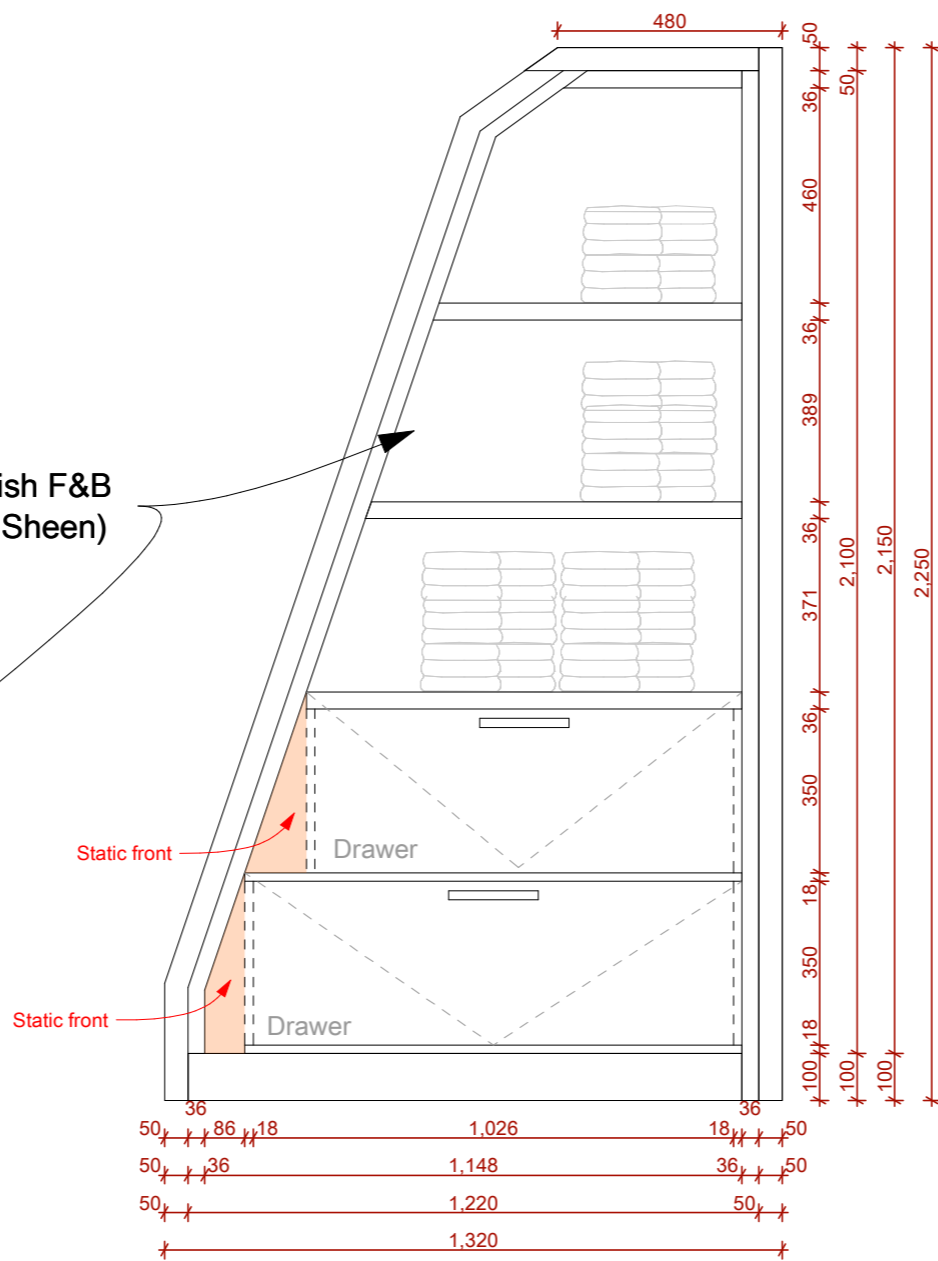


Doors



Internal and external Spry finish F&B
Downpipe (No.26)(20% Sheen)

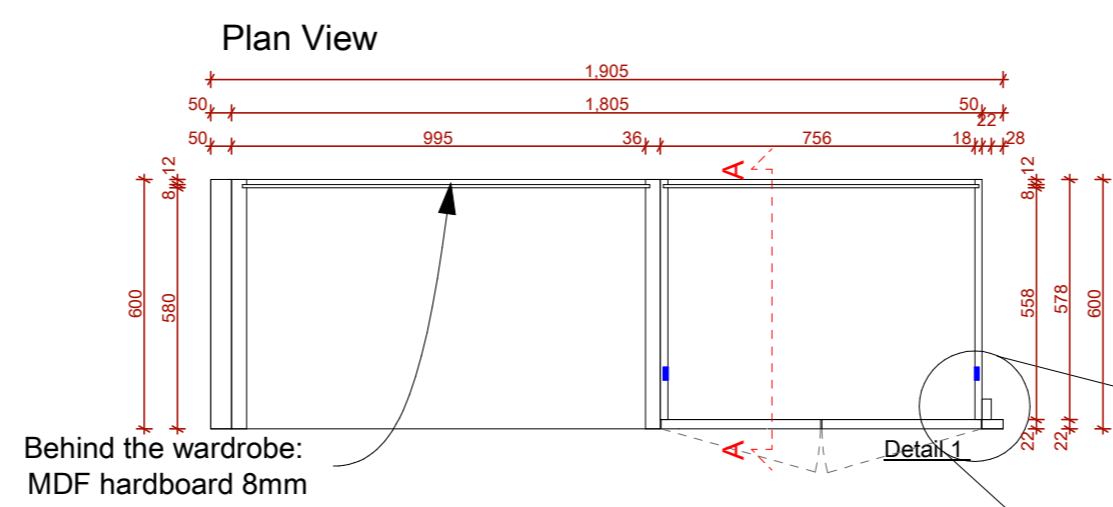
Front View



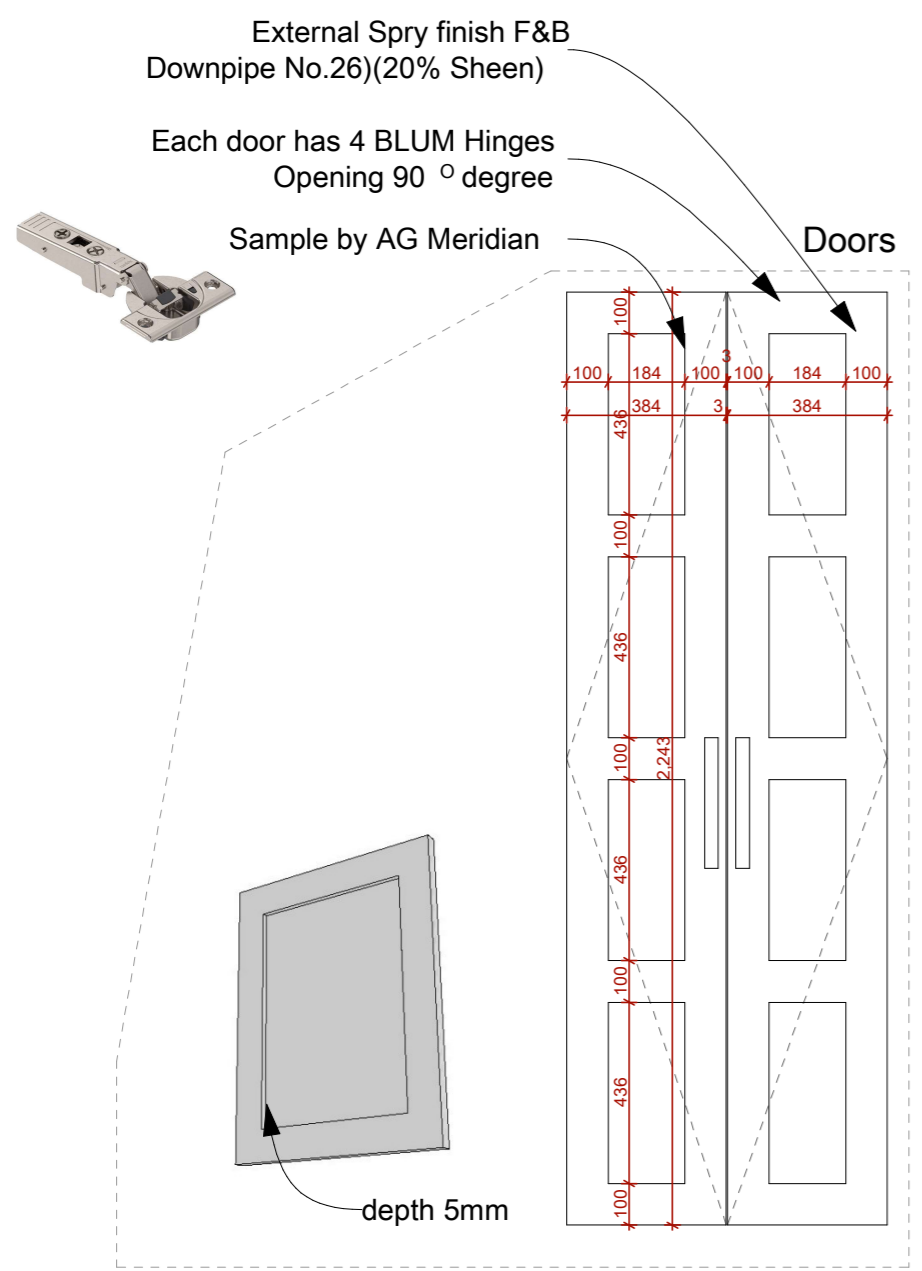
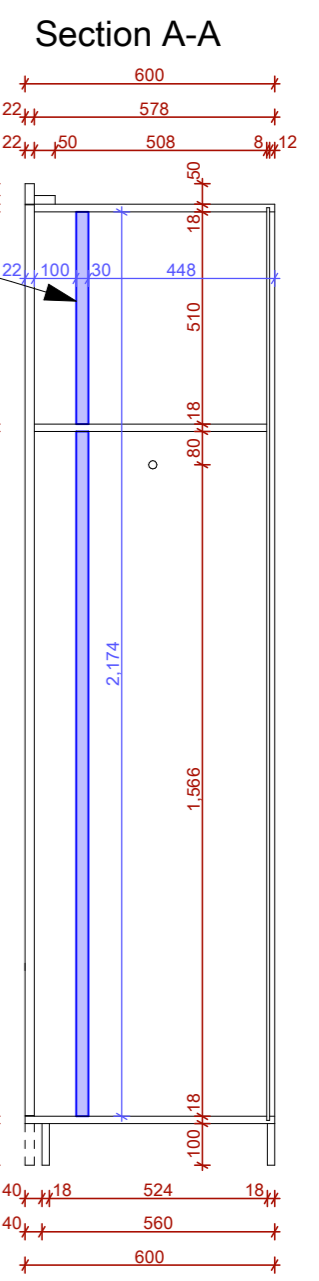
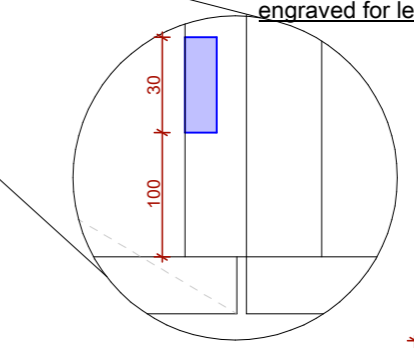
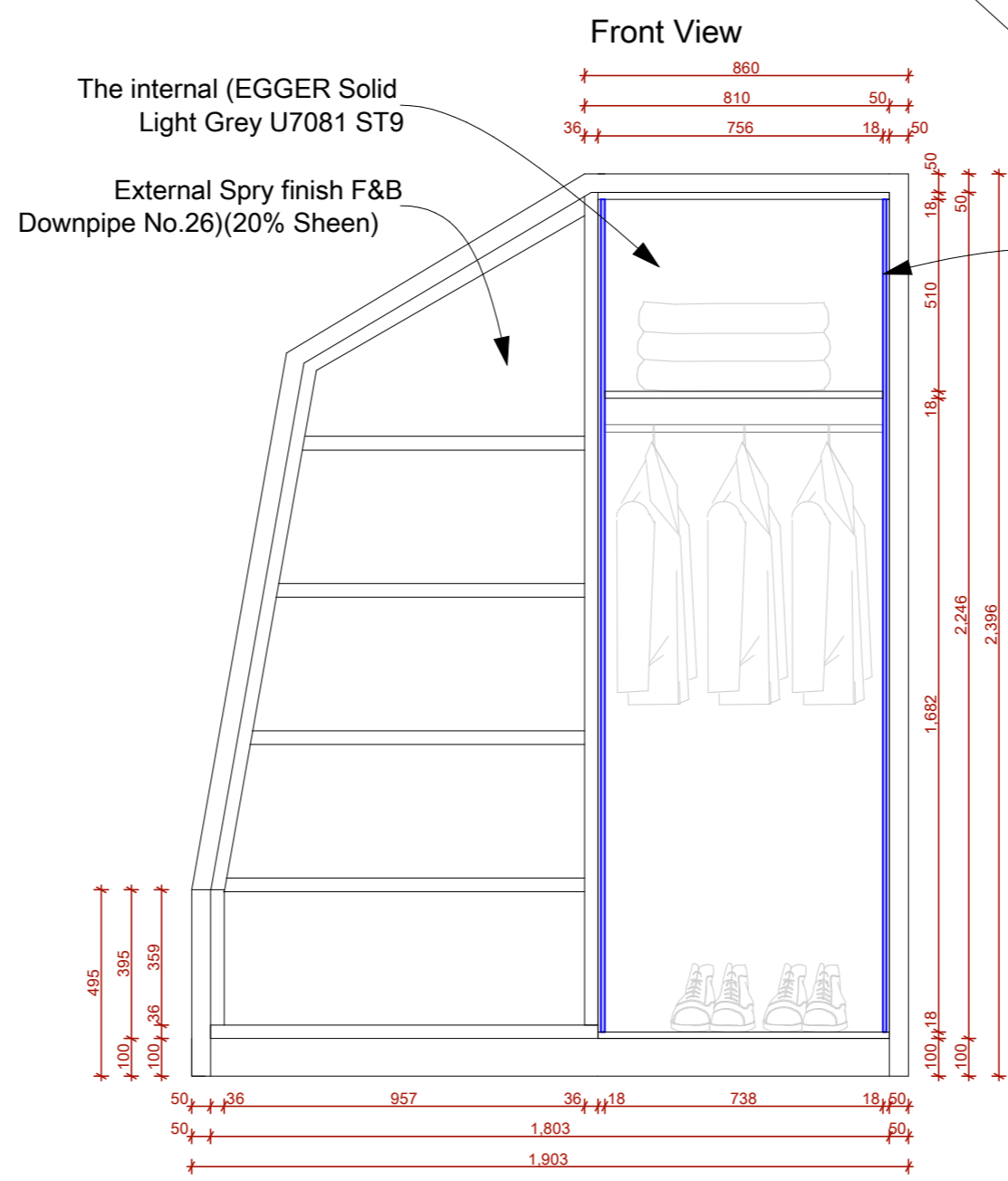
Drawer BLUM
Tandem plus Blumotion
Soft close drawer slide
450mm depth



SITE:	CLIENT: Dv.	SCALE AT A3:	DATE: 04/12/23	DRAWN: FB	CHECKED:
TITLE: Shelving Bedroom 6	ARCHITECT: F.B.	PROJECT NO: 011	DRAWING NO: TH.01	REVISION: A	



Side of the cabinet engraved for led 20x30xh mm



SITE: _____
 TITLE: Wardrobe Bedroom 5

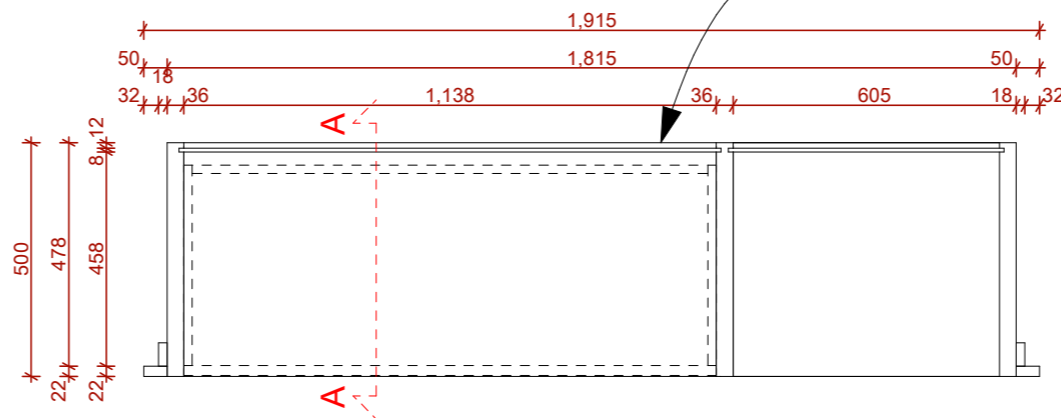
CLIENT: Dv.
 ARCHITECT: F.B.

SCALE AT A3:
 PROJECT NO: 011

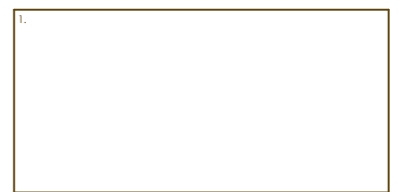
DATE: 04/12/23
 DRAWING NO: TH.01

DRAWN: FB
 CHECKED: _____
 REVISION: A

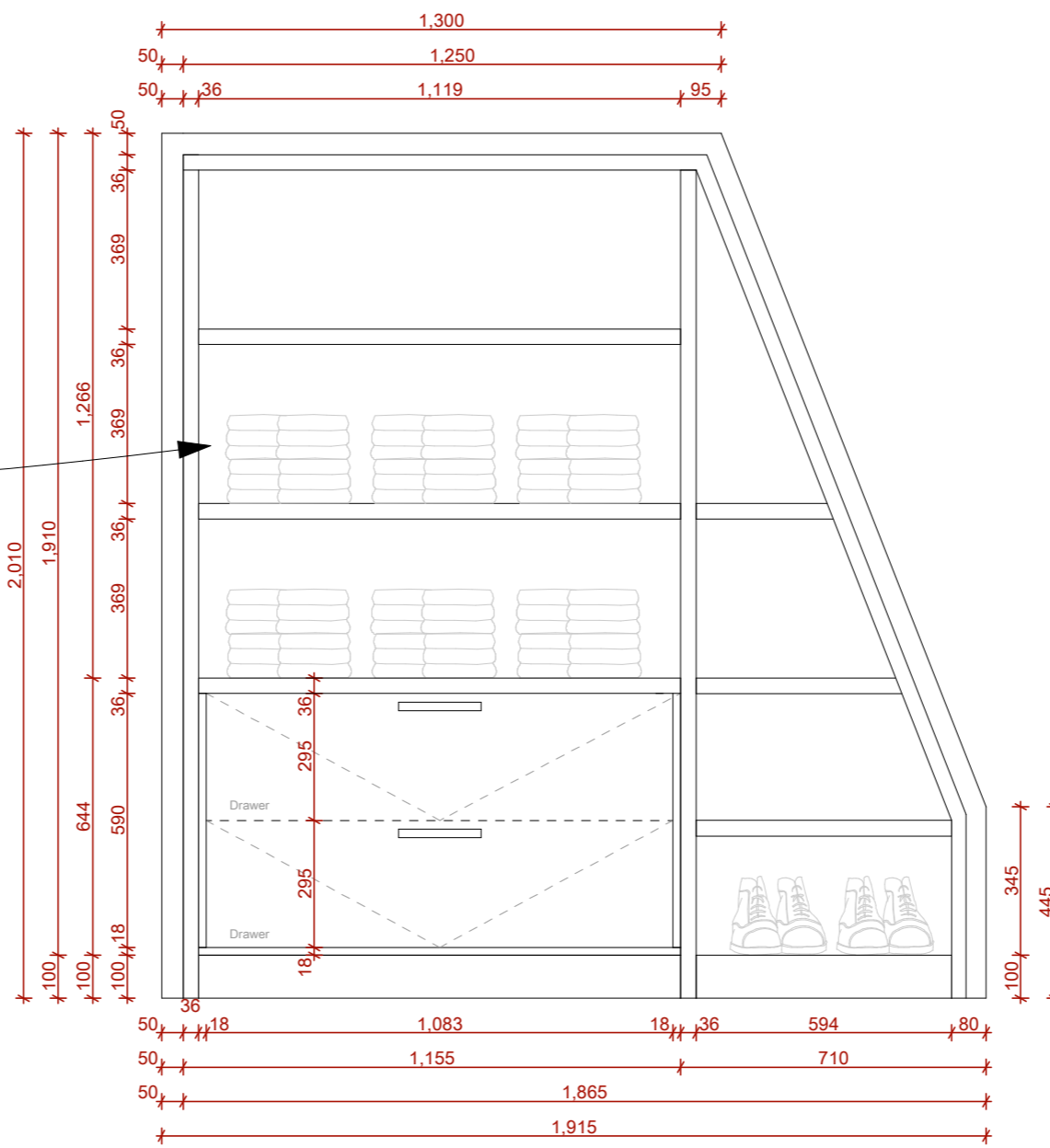
Plan View



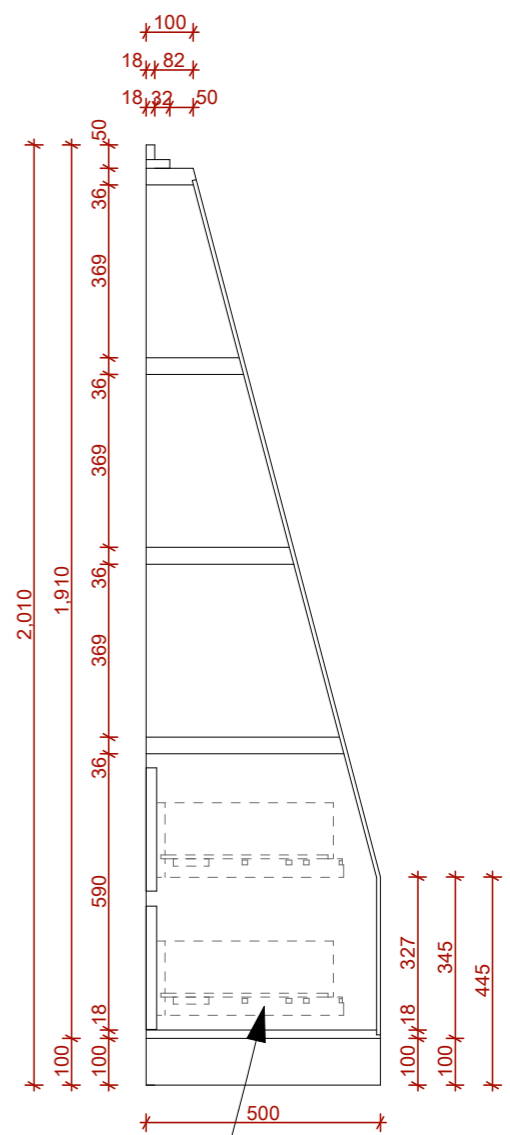
Behind the wardrobe:
MDF hardboard 8mm



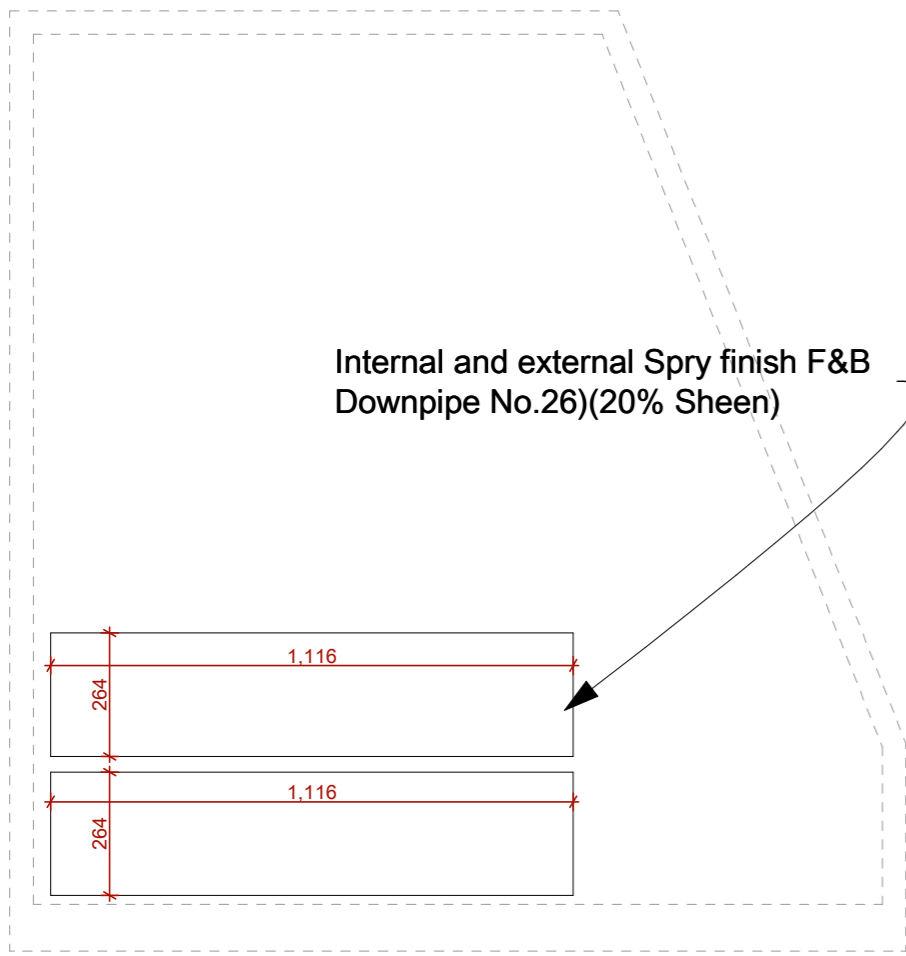
Front View



Section A-A



Doors

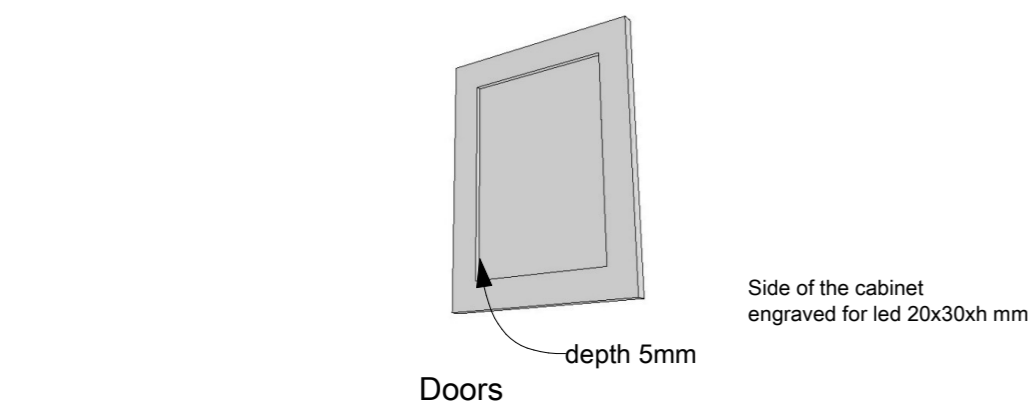


Internal and external Spry finish F&B
Downpipe No.26)(20% Sheen)

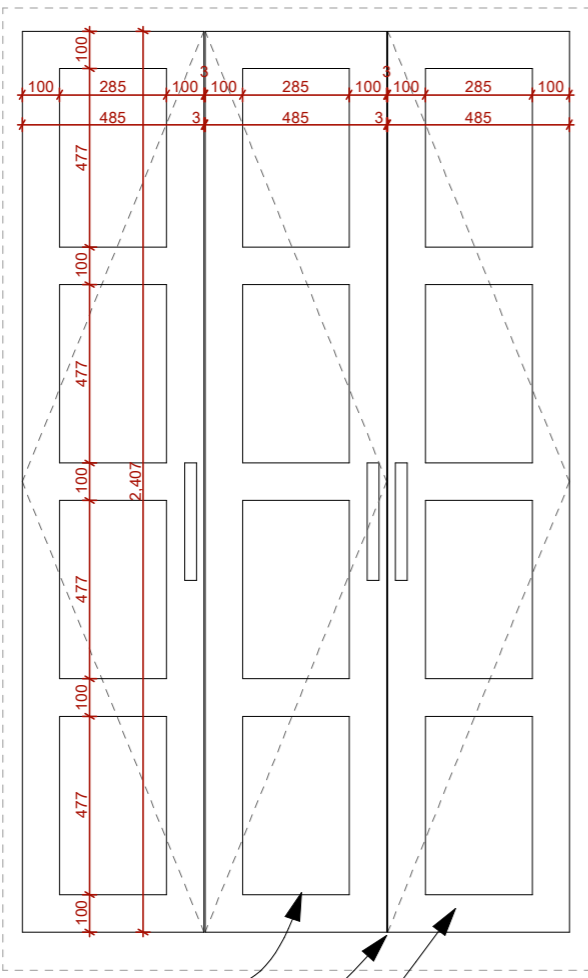
Drawer BLUM
Tandem plus Blumotion
Soft close drawer slide
400mm depth



SITE:	CLIENT:	SCALE AT A3:	DATE:	DRAWN:	CHECKED:
	Dv.		04/12/23	FB	
TITLE:	ARCHITECT:	PROJECT NO:	DRAWING NO:	REVISION:	
Shelving Bedroom 5	F.B.	011	TH.01	A	



Doors



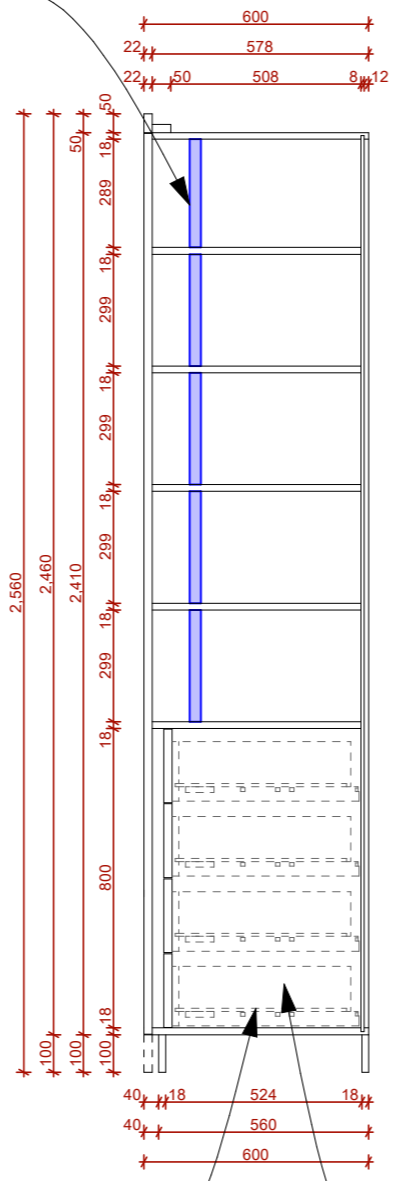
Sample by AG Meridian

Each door has 4 BLUM Hinges
Opening 90° degree

External Spry finish F&B Downpipe
No.26 (20% Sheen)



Section A-A

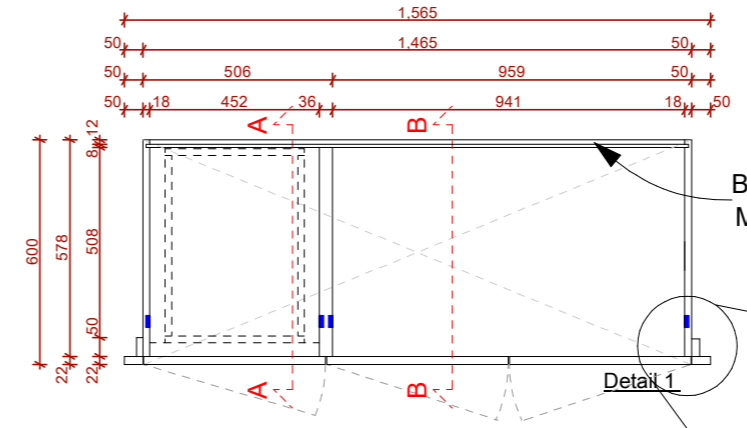


Drawer BLUM Tandem plus Blumotion
Soft close drawer slide
500mm depth

The internal (EGGER Solid Light
Grey U7081 ST9

The internal (EGGER Solid Light
Grey U7081 ST9

Plan View



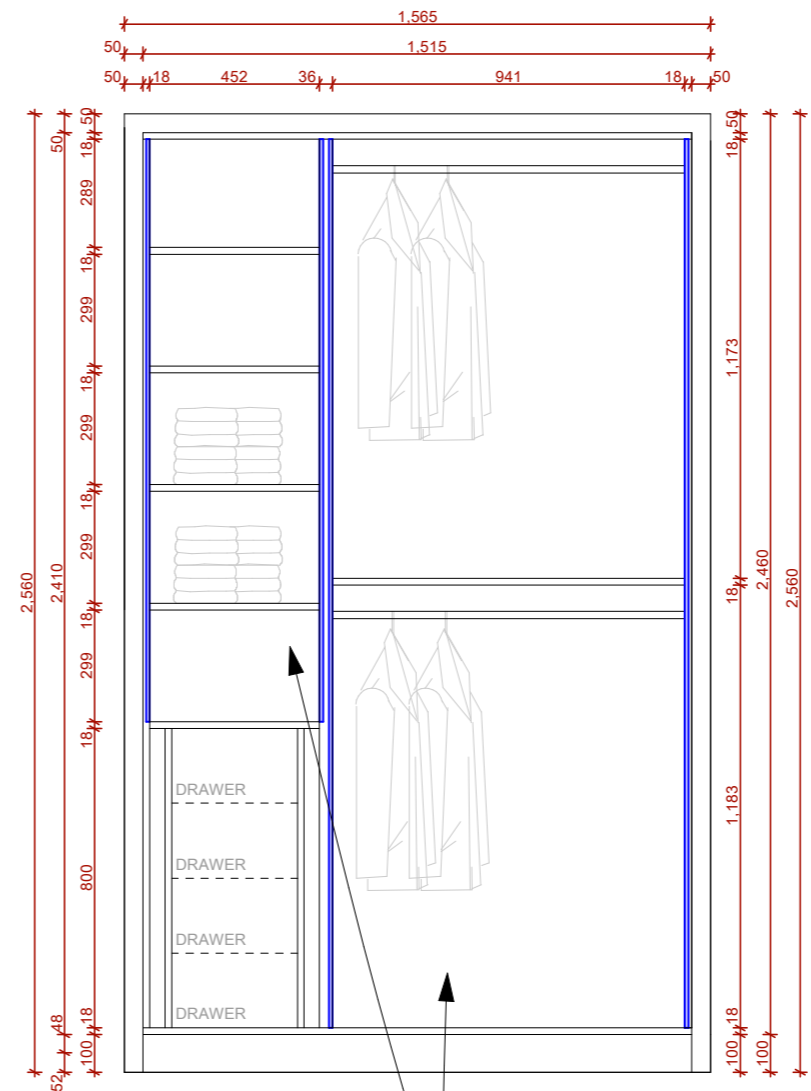
Behind the wardrobe:
MDF hardboard 8mm



Detail 1

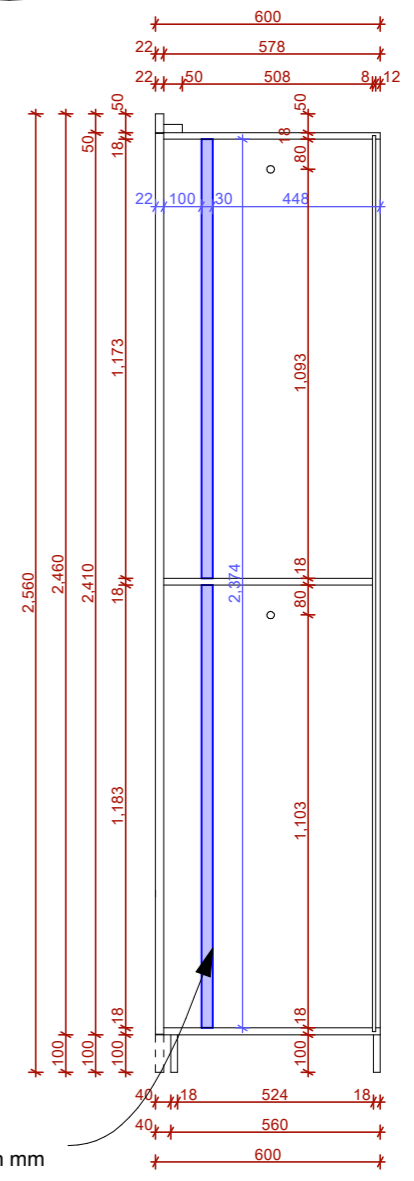
Side of the cabinet
engraved for led 20x30xh mm

Front View



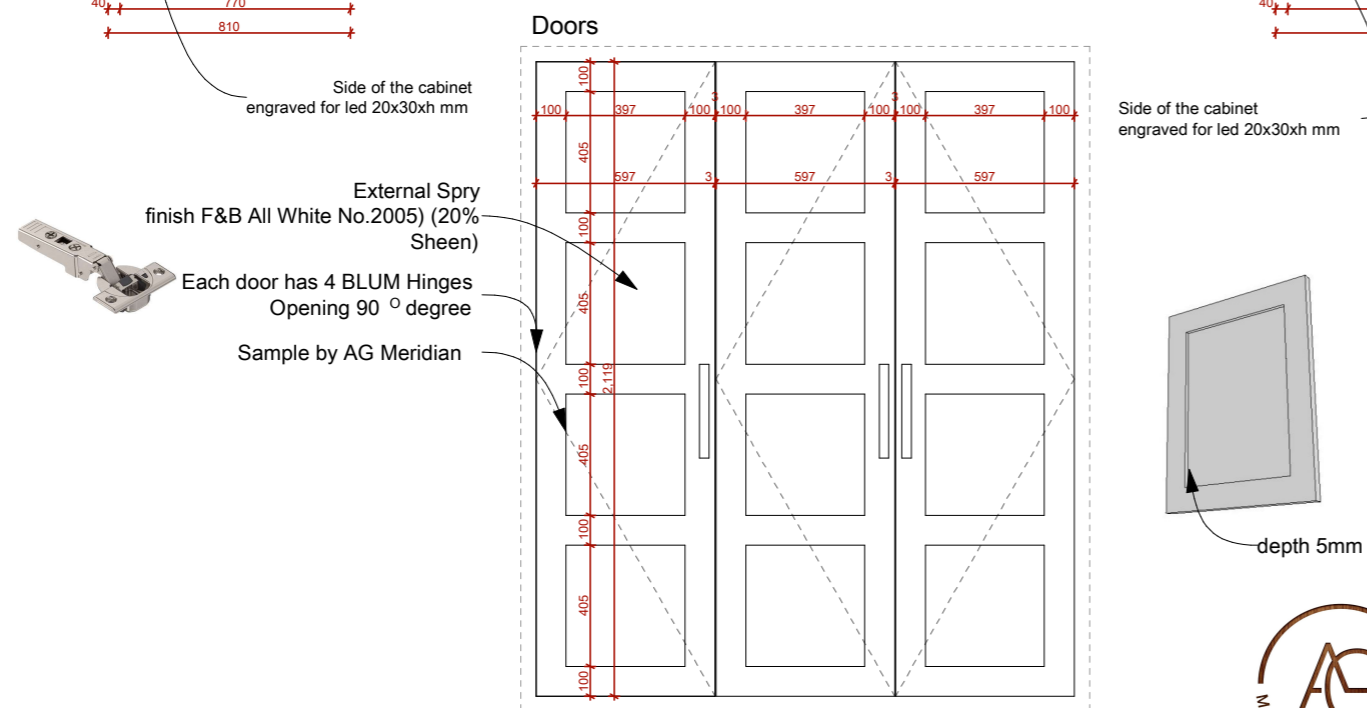
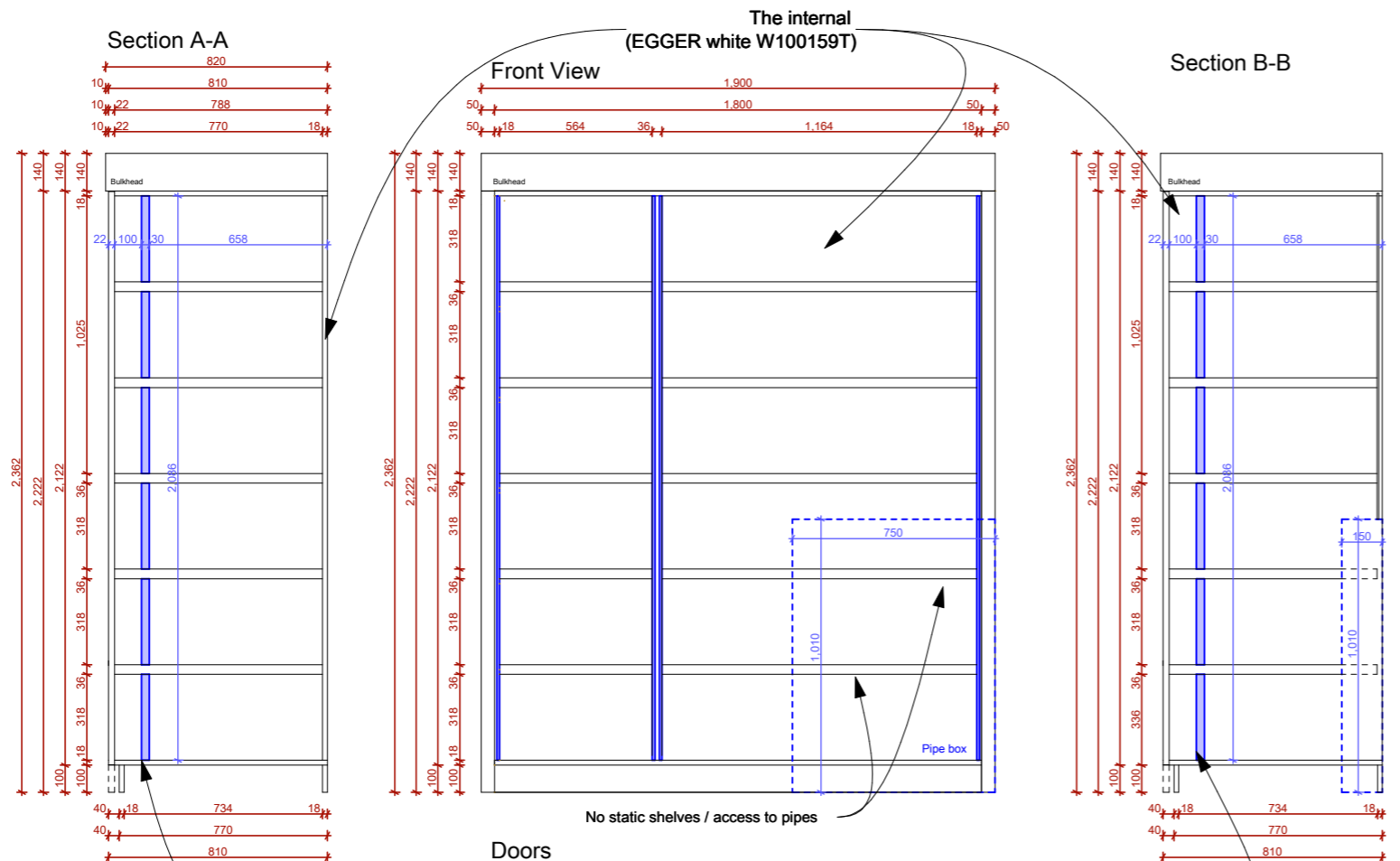
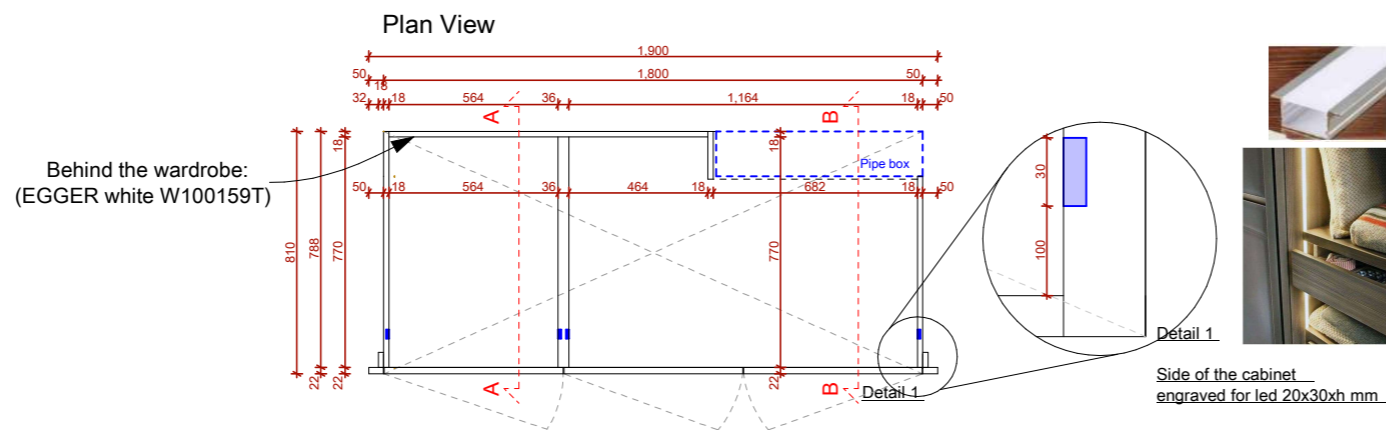
Side of the cabinet
engraved for led 20x30xh mm

Section B-B



SITE:	CLIENT:
TITLE:	ARCHITECT:
Wardrobe Dressing Bedroom 2	Dv. F.B.

SCALE AT A3:	DATE:	DRAWN:	CHECKED:
PROJECT NO:	DRAWING NO:	FB	
011	TH.01		A



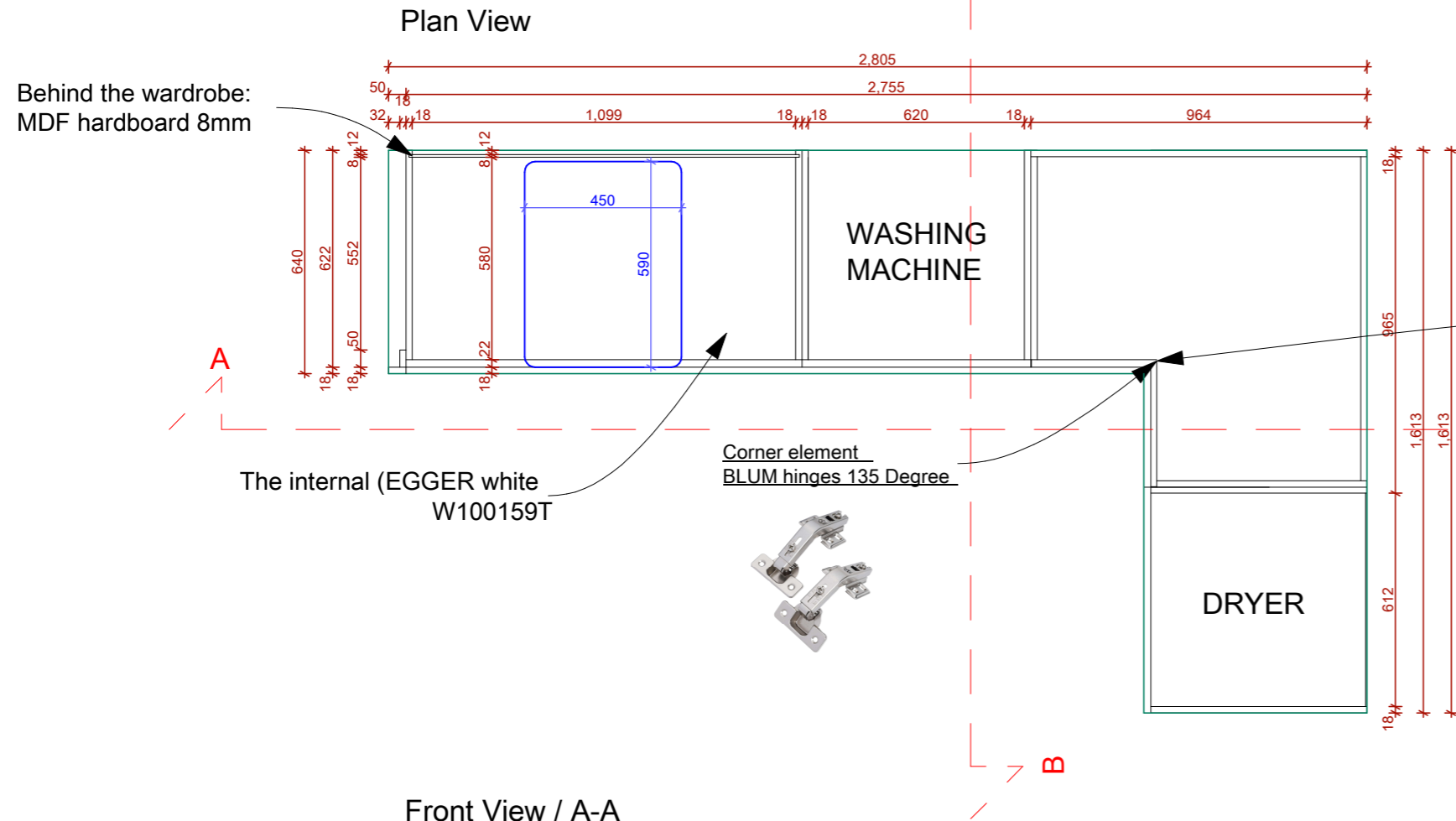
SITE: _____

TITLE: Wardrobe FF Hallway

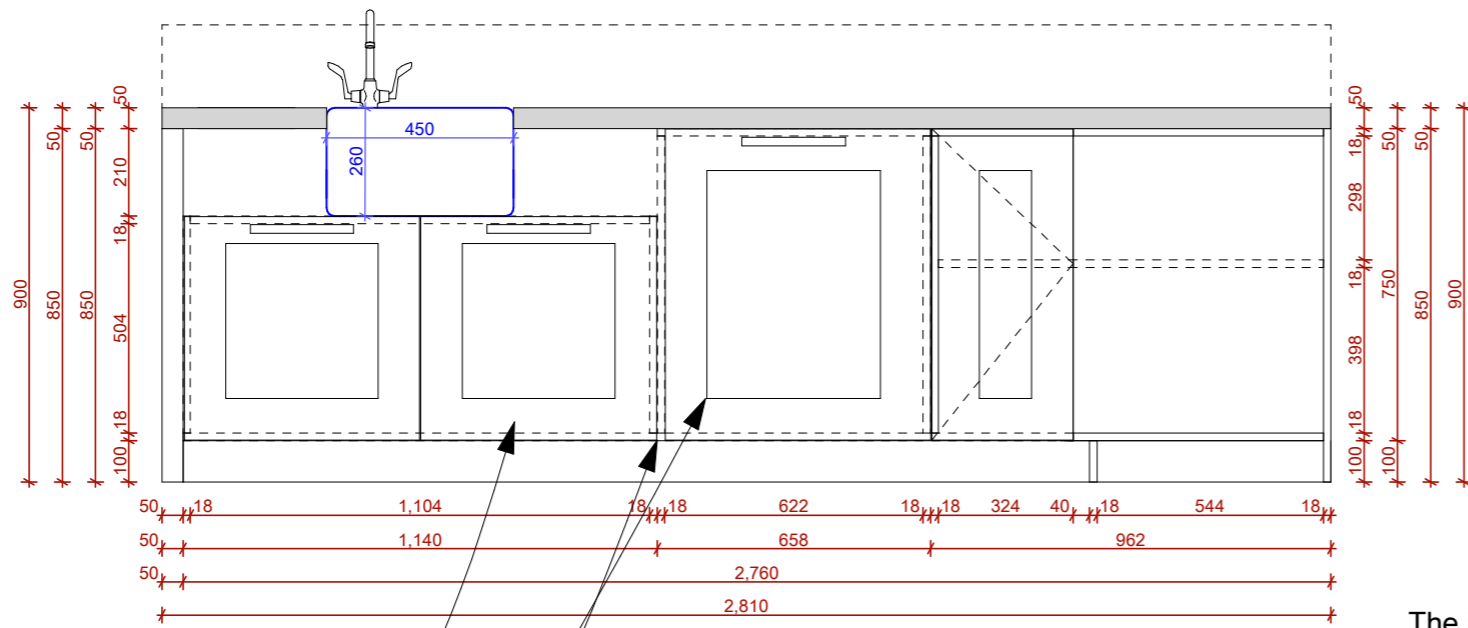
CLIENT: Dv.

ARCHITECT: F.B.

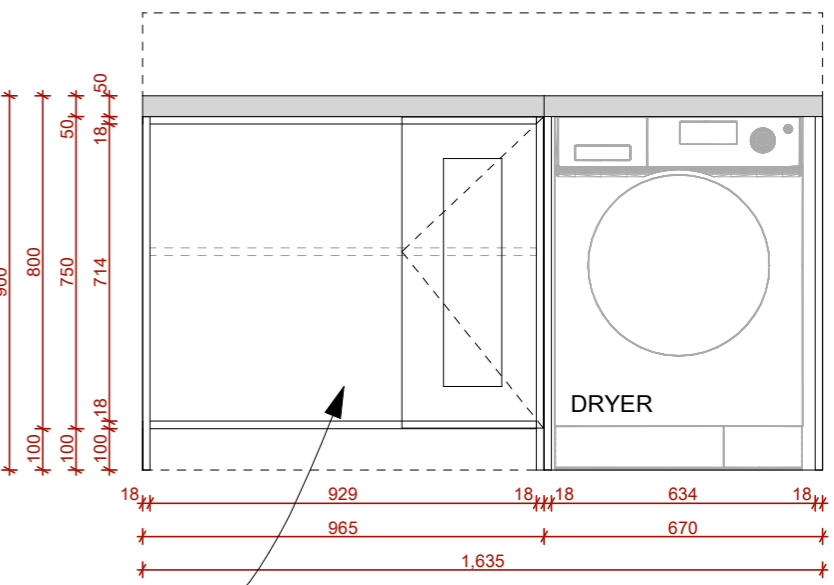
SCALE AT A3:	DATE: 04/12/23	DRAWN: FB	CHECKED:
PROJECT NO: 011	DRAWING NO: TH.01	REVISION: A	



Front View / A-A



Front View / B-B



External Spry finish F&B Hague Blue No.30 (20% Sheen)

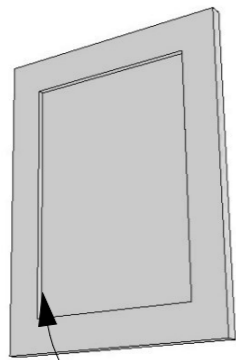
Each door has 2 BLUM Hinges Opening 90 ° degree

Sample by AG Meridian

The internal (EGGER white W100159T)

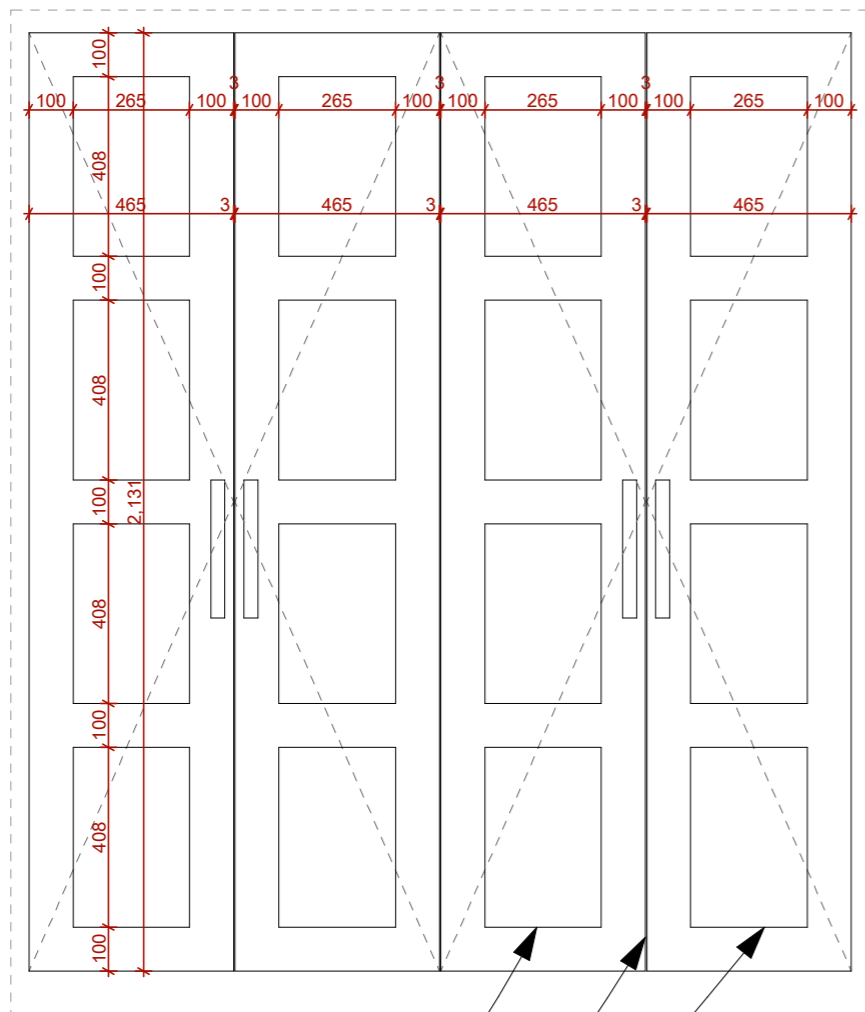


SITE:	CLIENT: Dv.	SCALE AT A3:	DATE: 04/12/23	DRAWN: FB	CHECKED:
TITLE: Cabinetry Laundry	ARCHITECT: F.B.	PROJECT NO: 011	DRAWING NO: TH.01	REVISION: A	



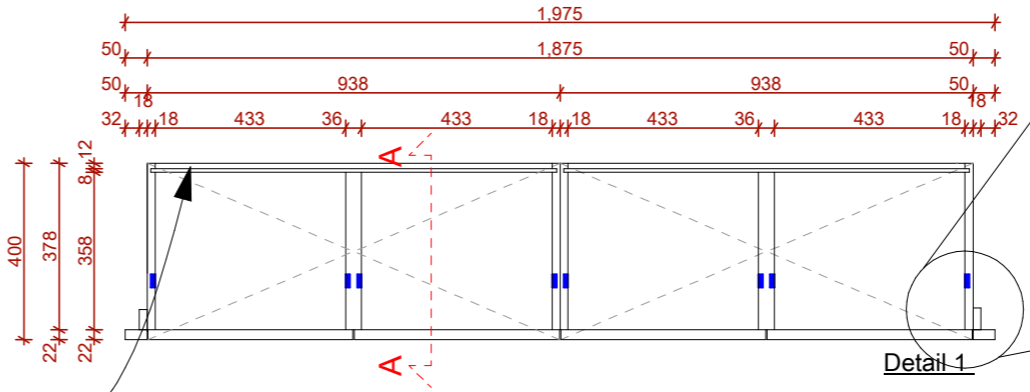
depth 5mm

Doors



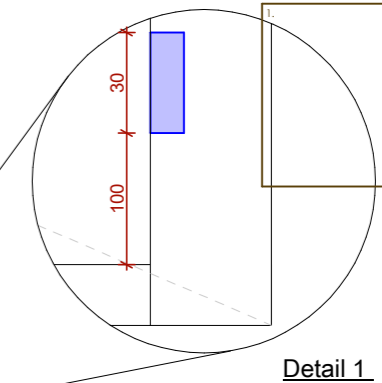
External Spry finish F&B Railing No.31 (20% Sheen)
Each door has 2 BLUM Hinges
Opening 90 ° degree
Sample by AG Meridian

Plan View



Behind the wardrobe:
MDF hardboard 8mm

Detail 1

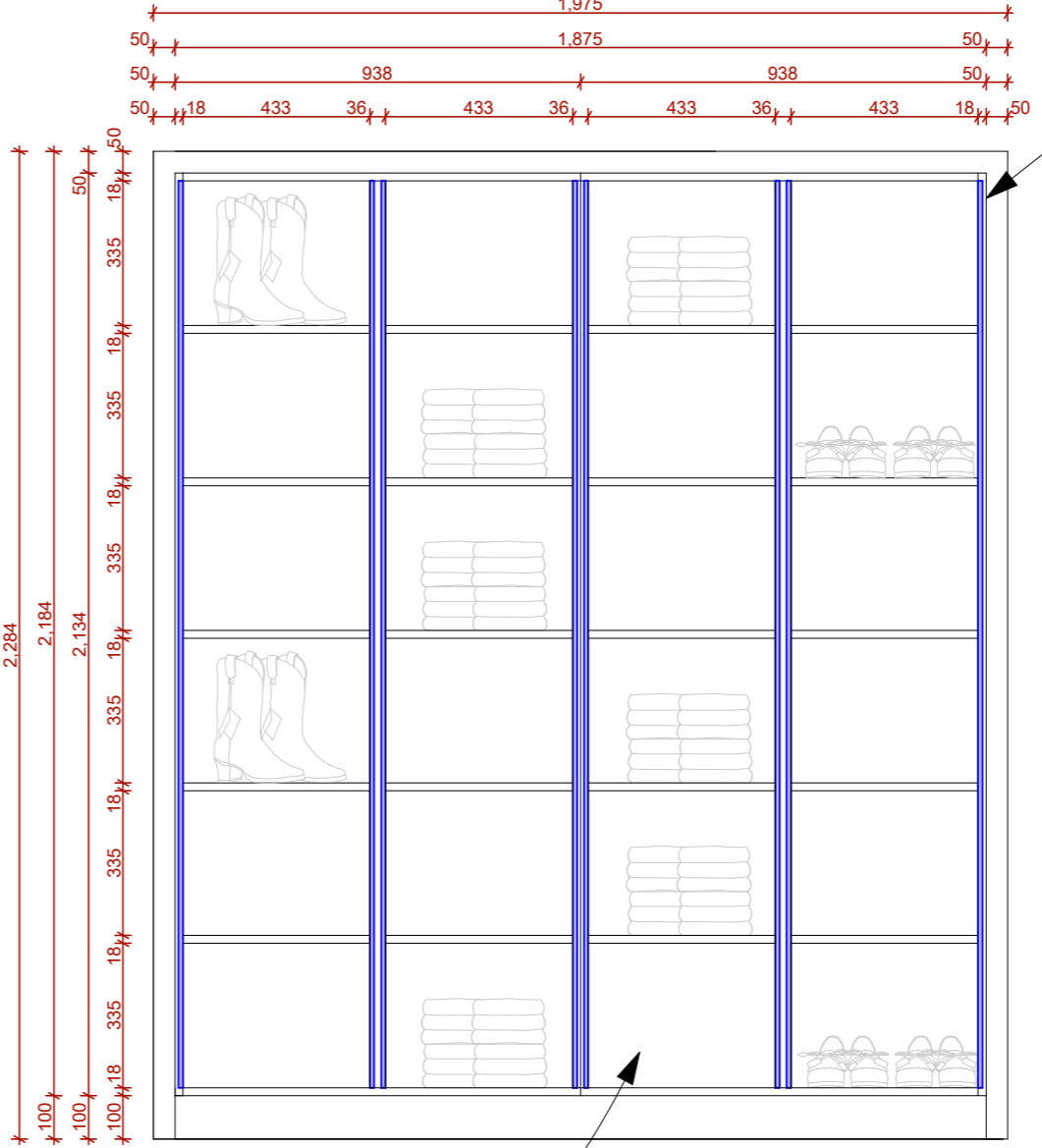


Detail 1

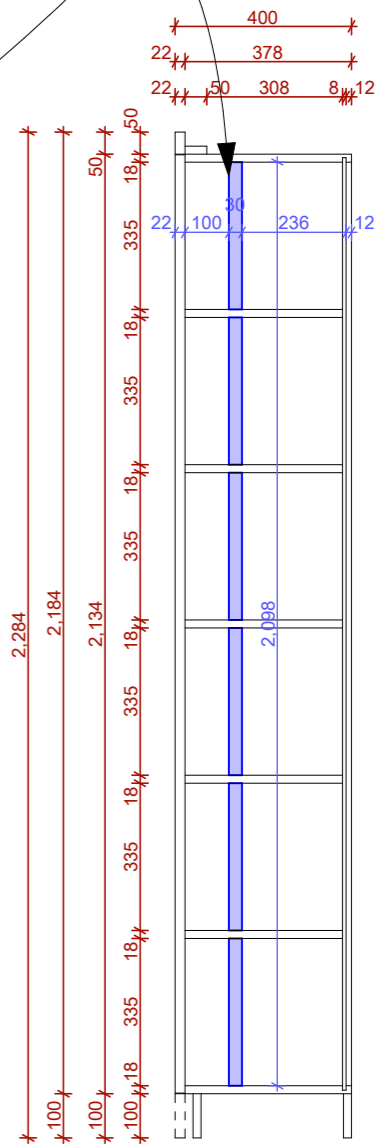
Side of the cabinet
engraved for led 20x30xh mm



Front View



Side of the cabinet
engraved for led 20x30xh mm



The internal (EGGER Solid Light Grey U7081 ST)

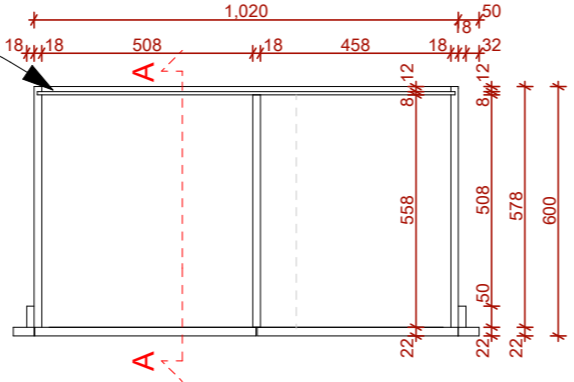


SITE:	CLIENT:
TITLE:	Dv.
Shelving Principle Dressing	ARCHITECT:
	F.B.

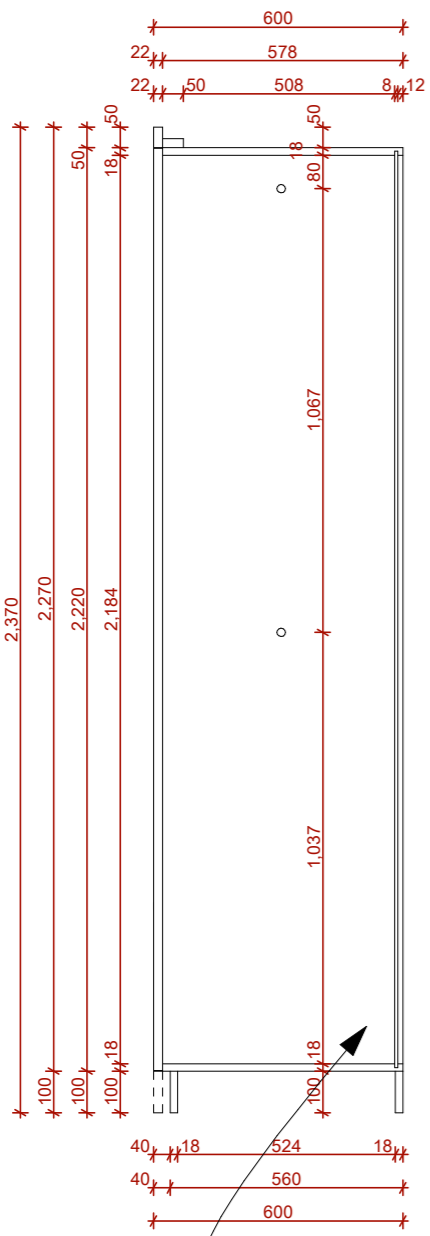
SCALE AT A3:	DATE:	DRAWN:	CHECKED:
	04/12/23	FB	
PROJECT NO:	DRAWING NO:	REVISION:	
011	TH.01	A	

Behind the wardrobe:
MDF hardboard 8mm

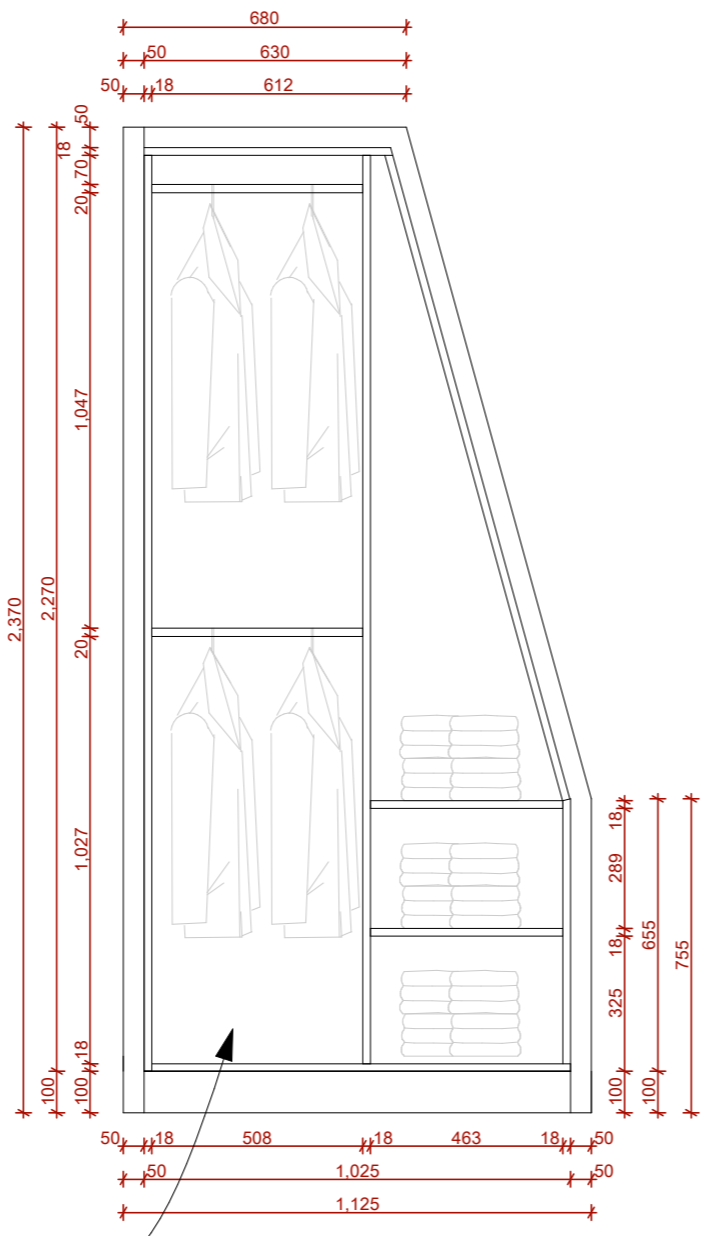
Plan View



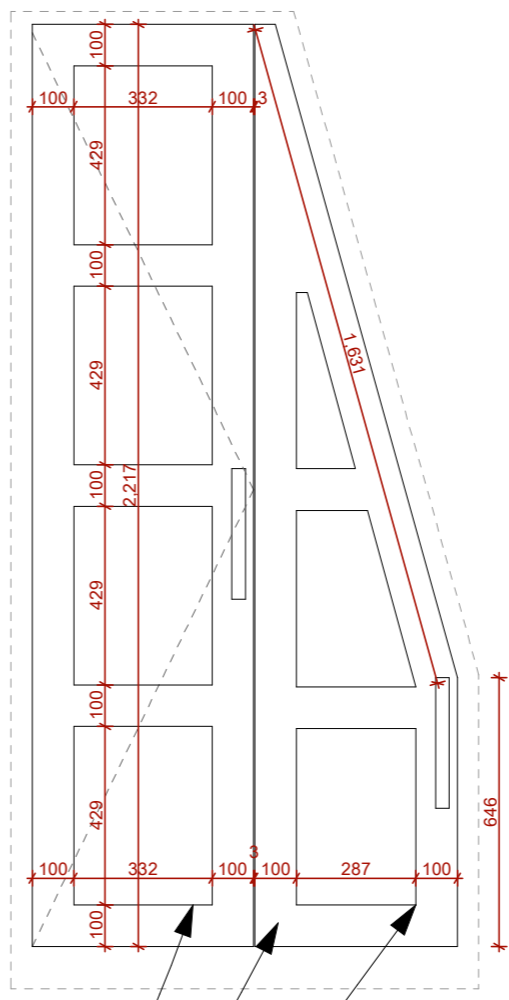
Section A-A



Front View



Doors



The internal is EGGER white 1001 59T

External is F&B all white No.2005 (20% sheen)

Each door has 4 BLUM Hinges
Opening 90° degree

Sample by AG Meridian



SITE:

TITLE:
Wardrobe
Bedroom 3

CLIENT:

Dv.

ARCHITECT:
F.B.

SCALE AT A3:

PROJECT NO:
011

DATE:
04/12/23

DRAWING NO:
TH.01

DRAWN:
FB

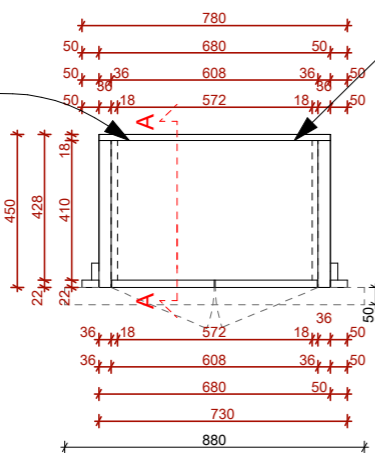
CHECKED:

REVISION:
A

CABINETRY (DINING) J-17, J-18, J-19

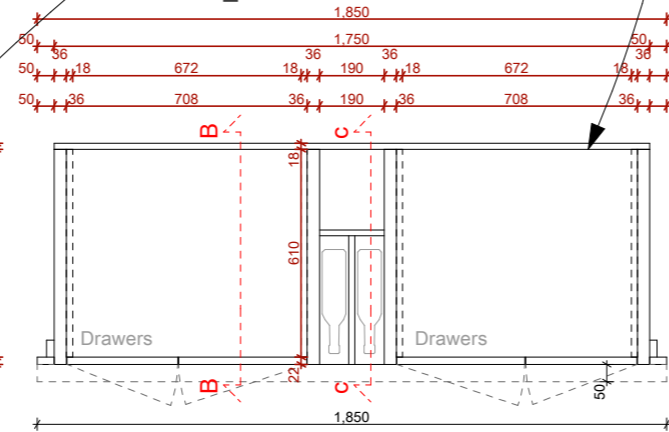
Behind the wardrobe:
Spry finish (F&B All White
No.2005)(20% Sheen)

Plan View / J_19

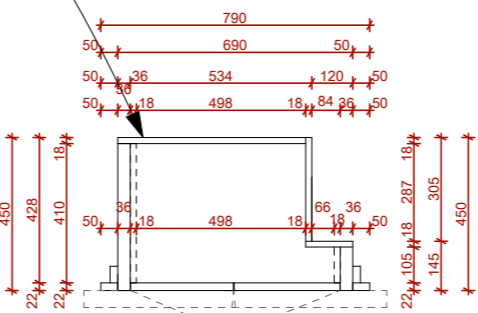


Behind the wardrobe:
Spry finish (F&B All White
No.2005)(20% Sheen)

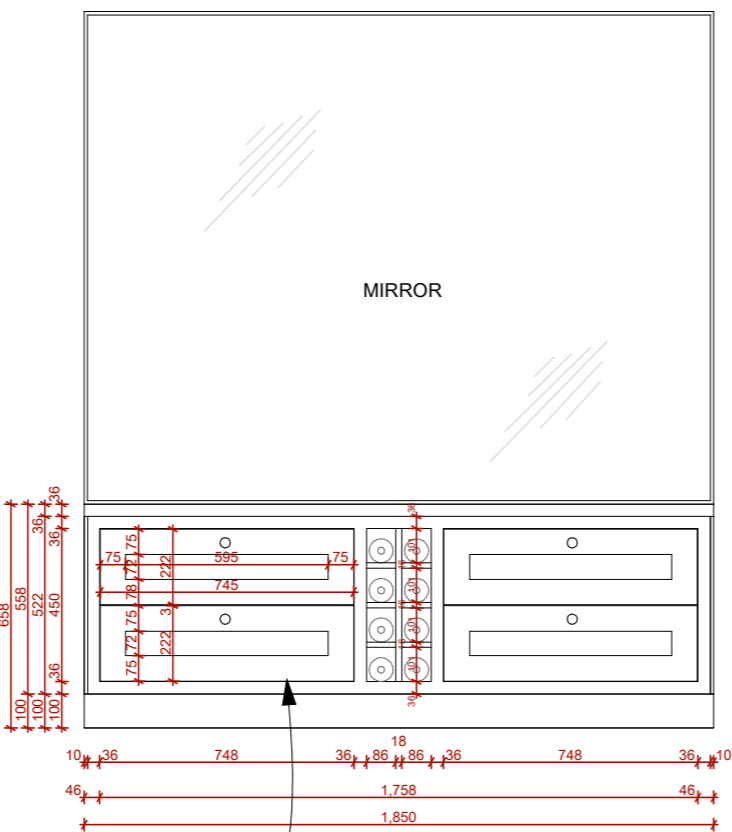
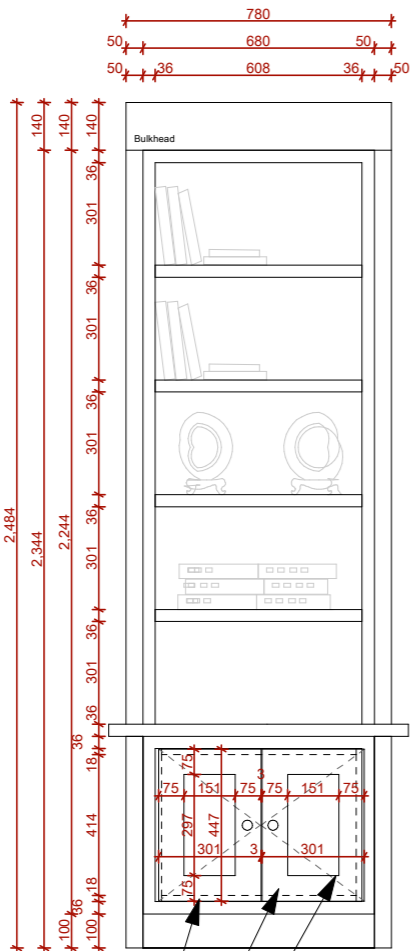
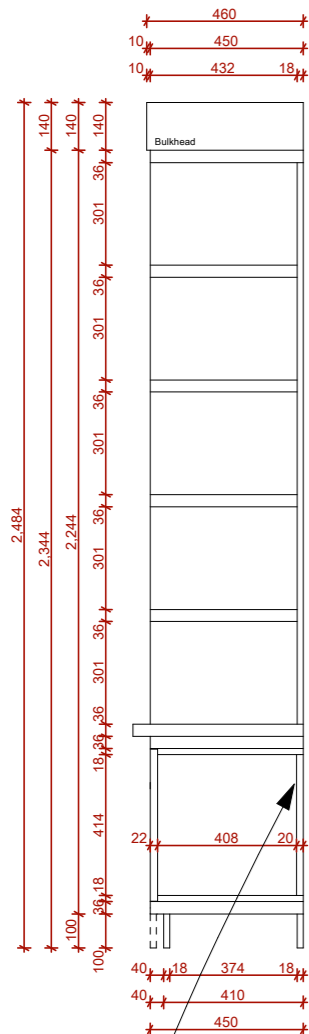
Plan View / J_18



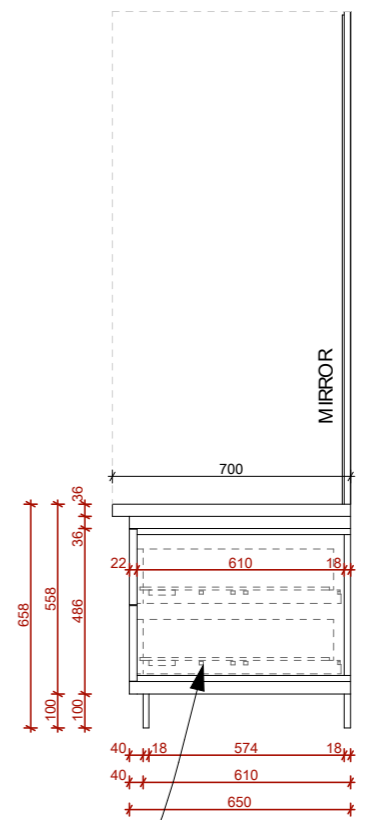
Plan View / J_17



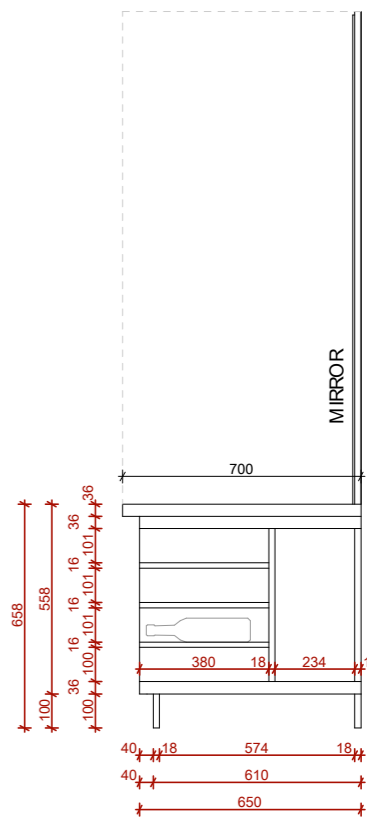
Section A-A



Section B-B



Section C-C

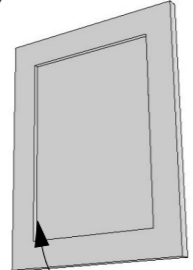


Drawer BLUM
Tandem plus Blumotion
Soft close drawer slide
600mm depth

The internal and external are spry
finish (F&B All White
No.2005)(20% Sheen)

Each door has 2 BLUM Hinges
Opening 90 ° degree

Sample by AG Meridian



depth 5mm

The internal and external are spry
finish (F&B All White
No.2005)(20% Sheen)

The internal and external are spry
finish (F&B All White
No.2005)(20% Sheen)

Each door has 2 BLUM Hinges
Opening 90 ° degree

Sample by AG Meridian



SITE: _____
TITLE: Cbinetry Dining

CLIENT: Dv.
ARCHITECT: F.B.

SCALE AT A3:
PROJECT NO: 011

DATE: 04/12/23
DRAWING NO: TH.01

DRAWN: FB
CHECKED: _____
REVISION: A