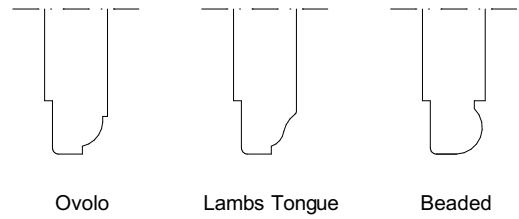
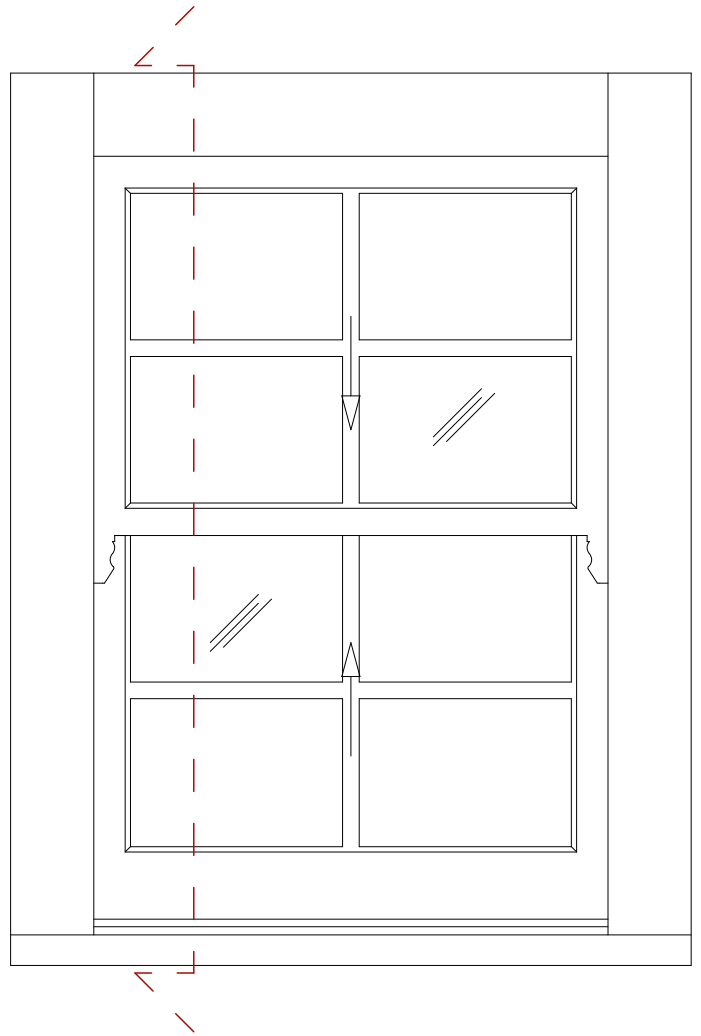
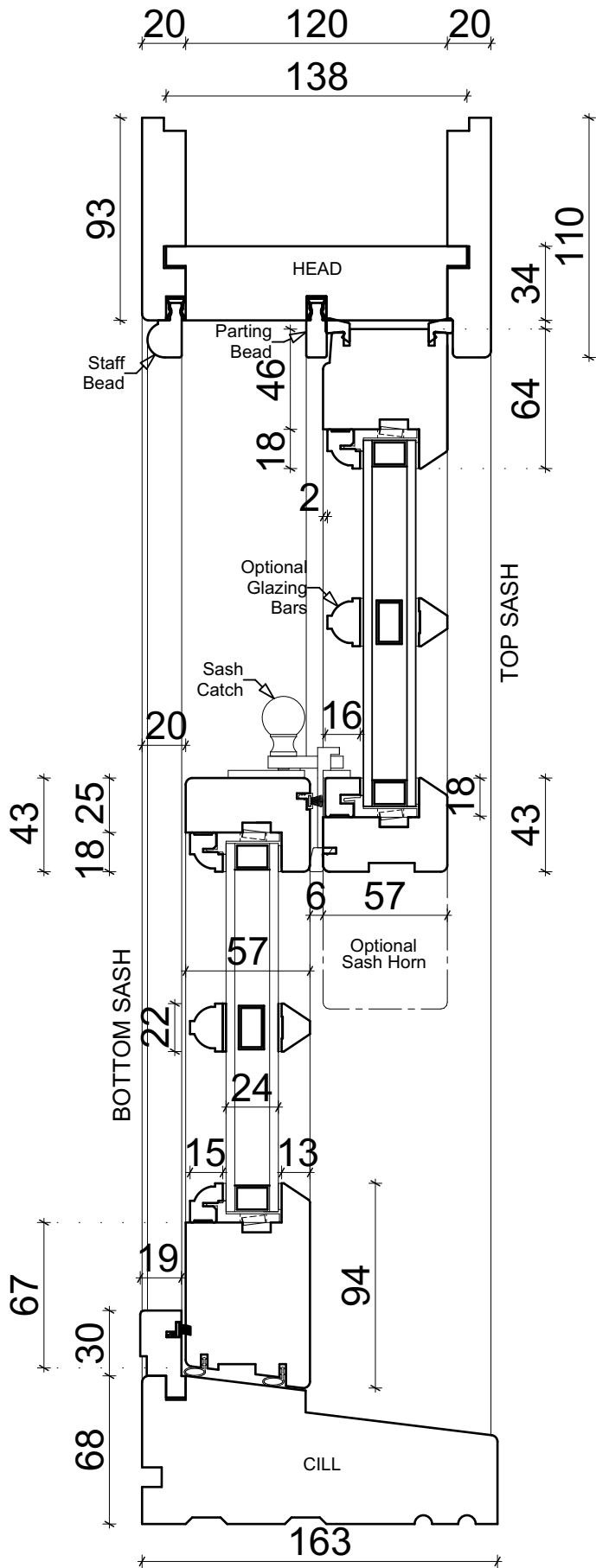


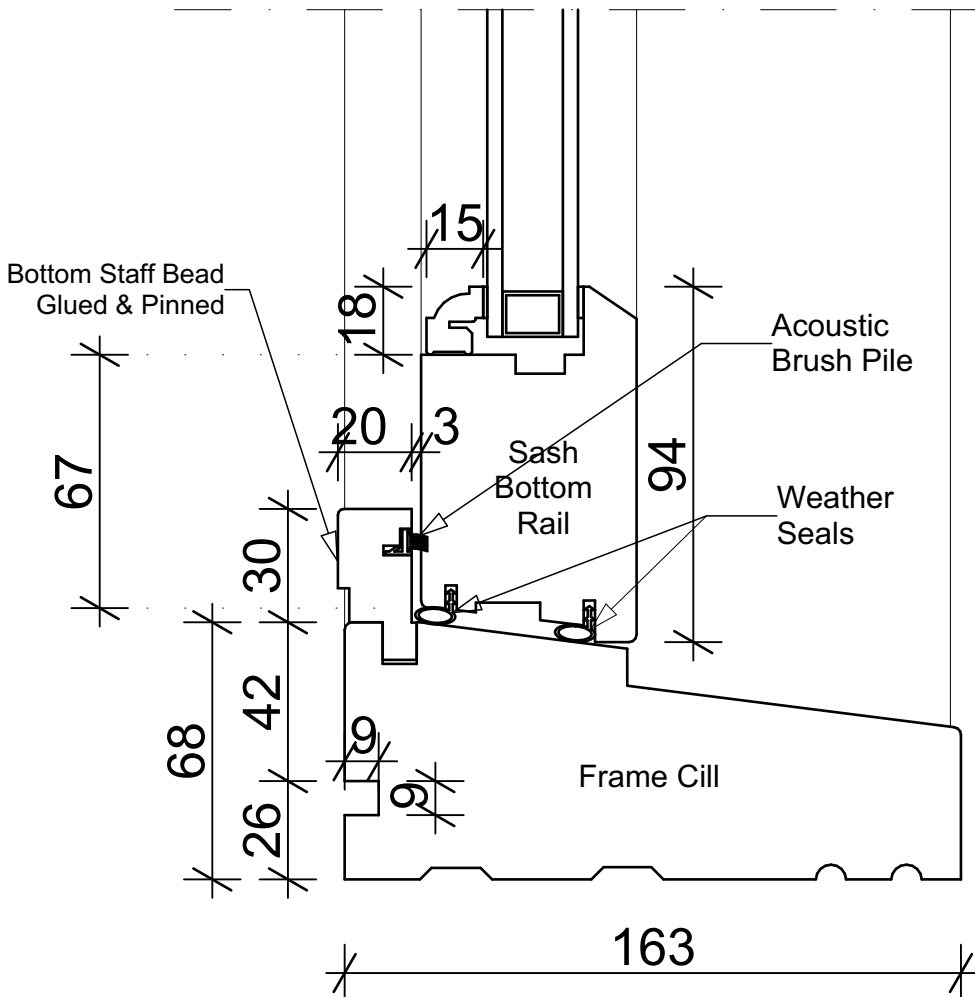
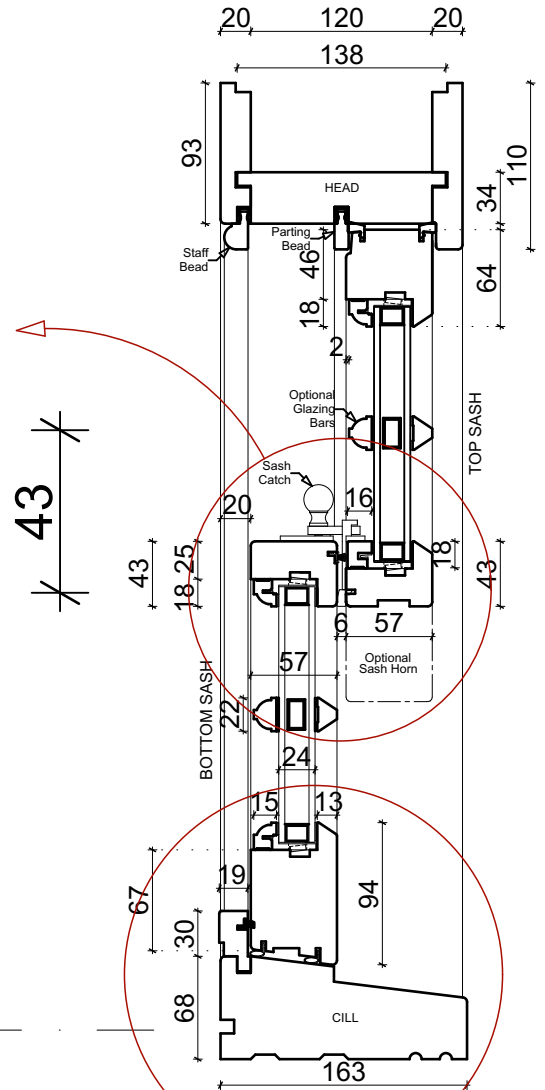
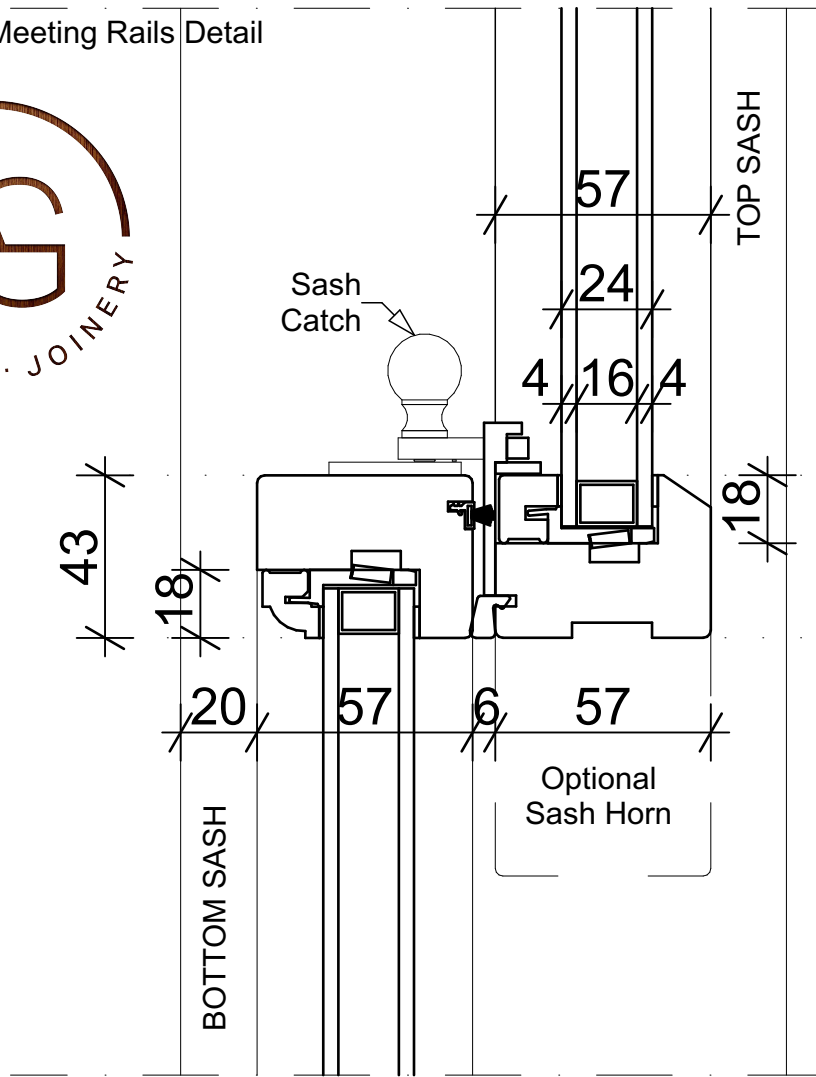
Box Sash Window Section



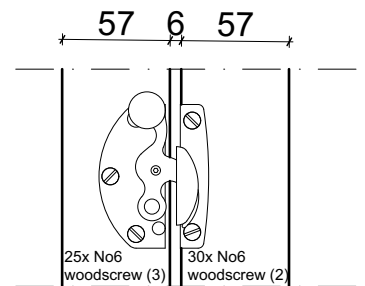
External Liners can be Square Profile as shown, Ovolo, Lambs Tongue or Beaded



Cill and Meeting Rails Detail

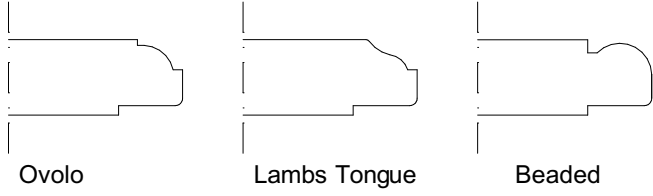


Sash Catch Plain



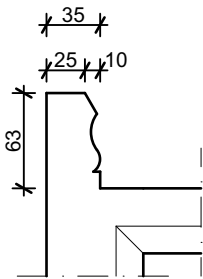
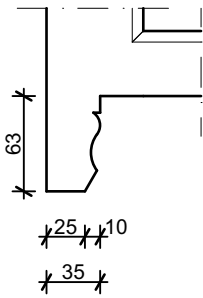
Window Board groove as standard
Optional no Window Board groove

Optional Sash Horn

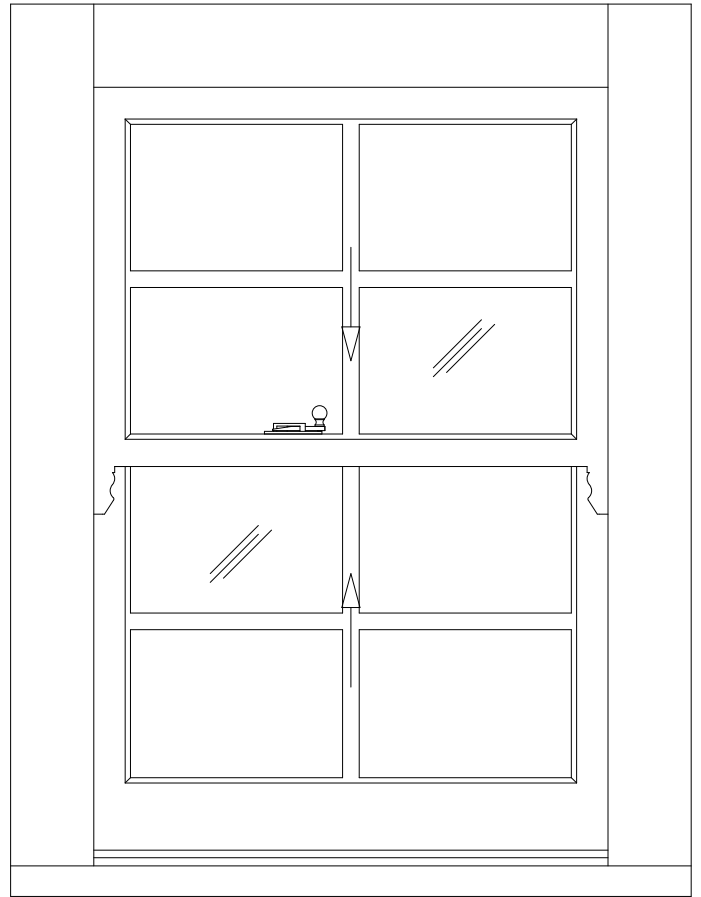


External Liners can be Square Profile as shown, Ovolo, Lambs Tongue or Beaded

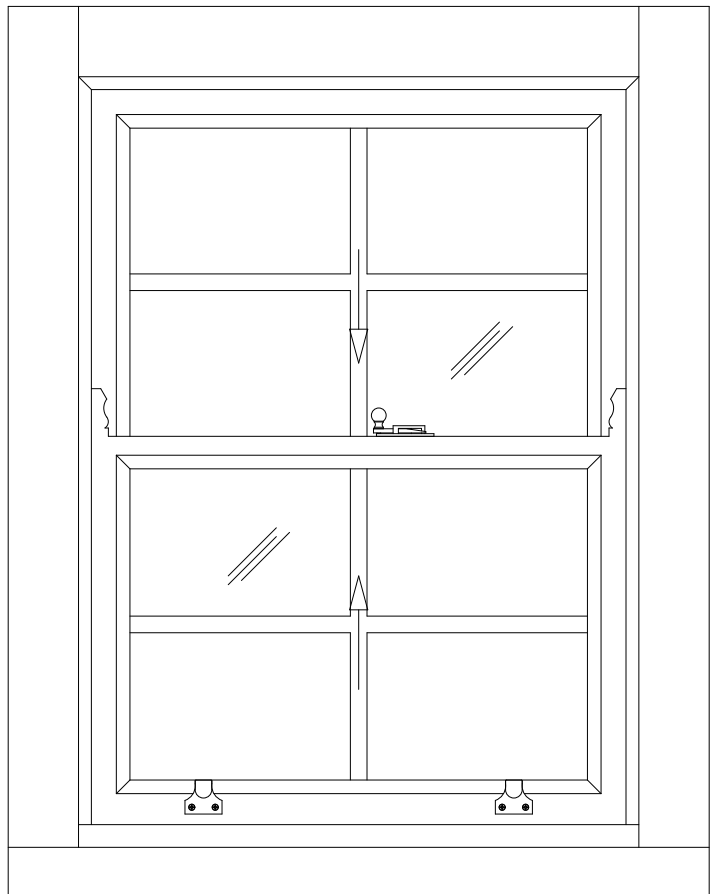
Horn on Top Sash



Horn on Bottom Sash



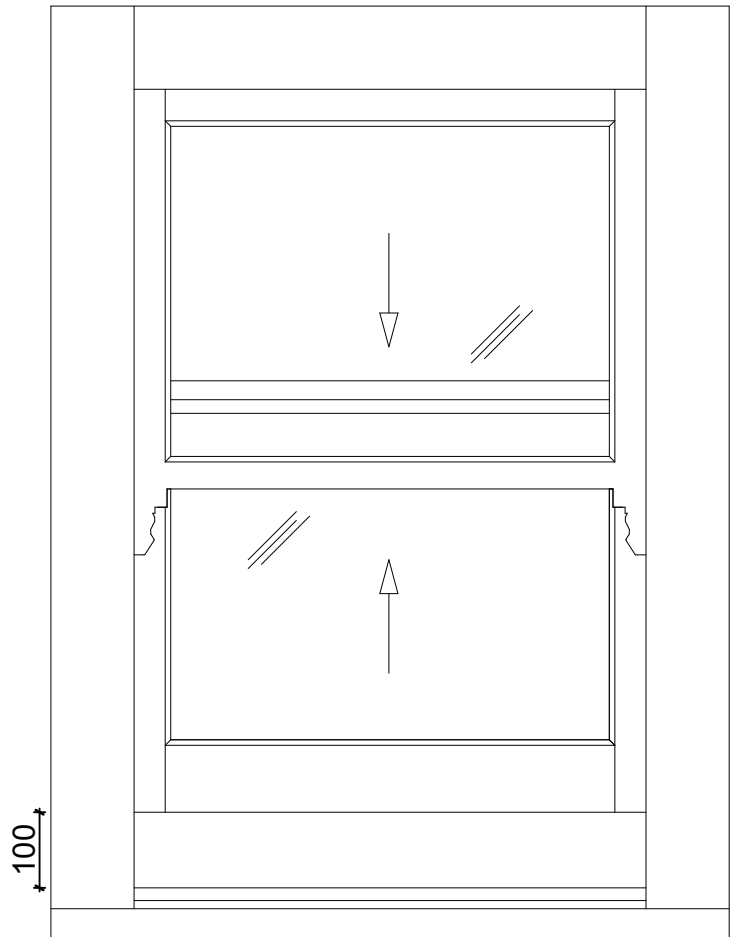
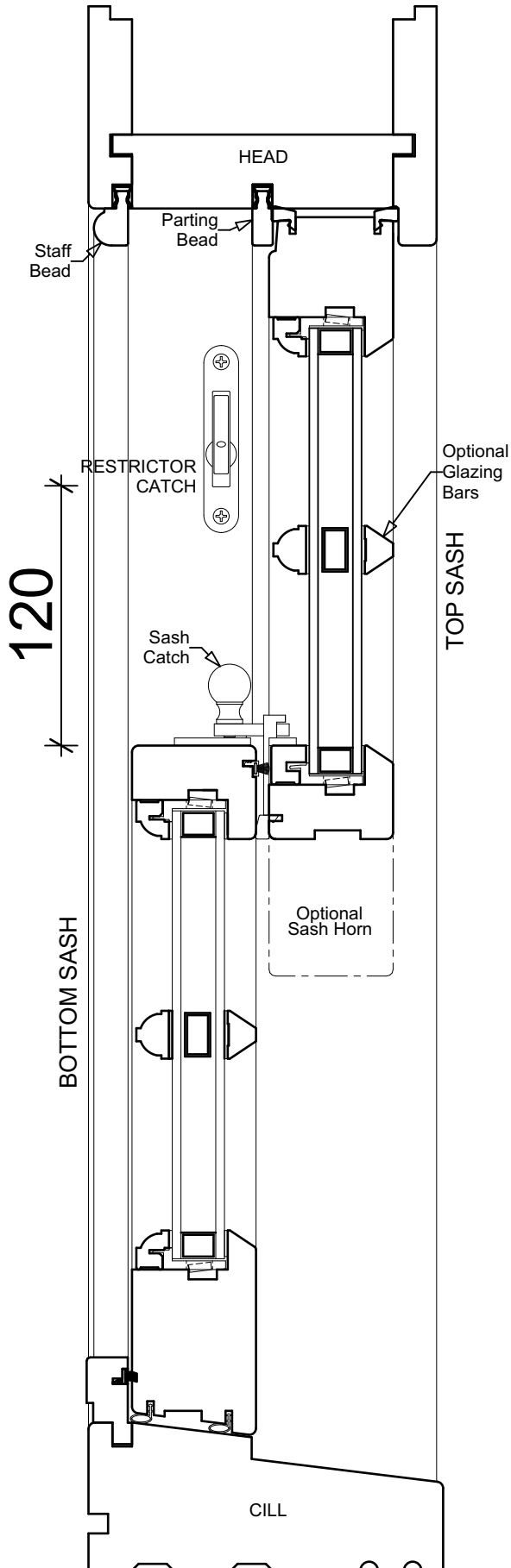
EXTERNAL VIEW



INTERNAL VIEW



Sash Restrictor Locks



Restrictor allows sash to open 100mm before engaging.