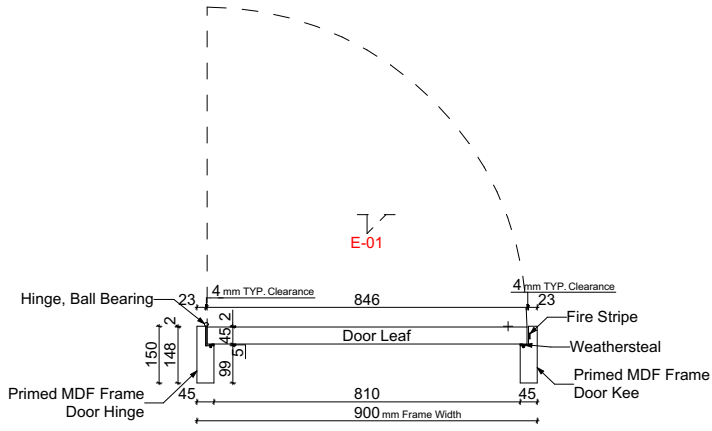
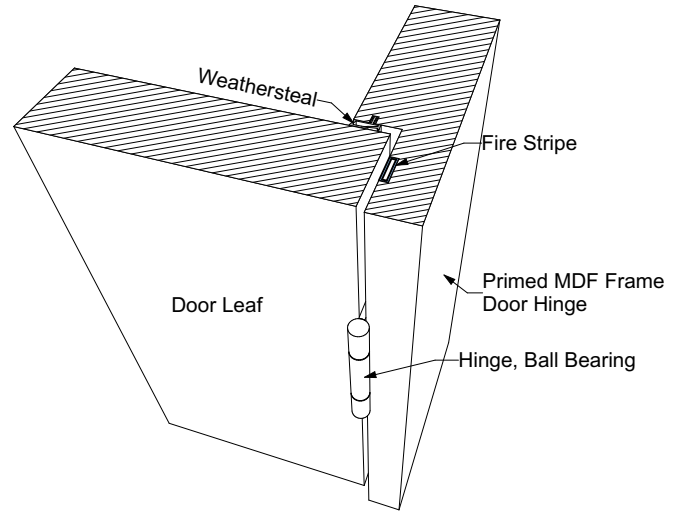


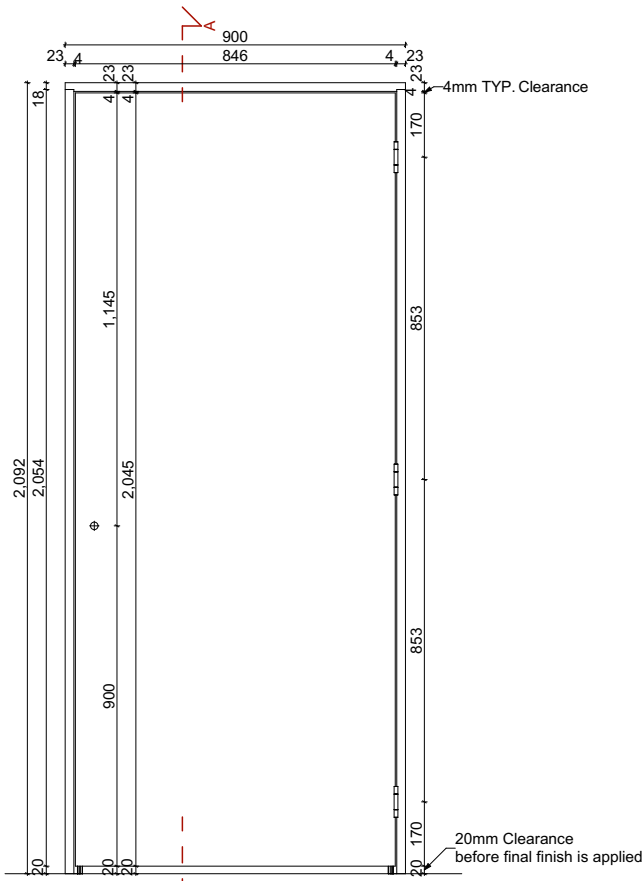
# Interior Door\_Type 1



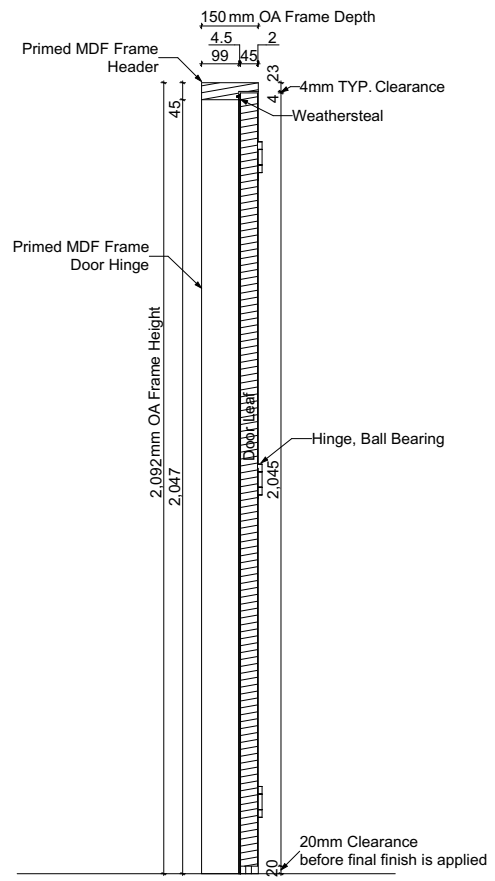
Plan



Detail view - Iso view



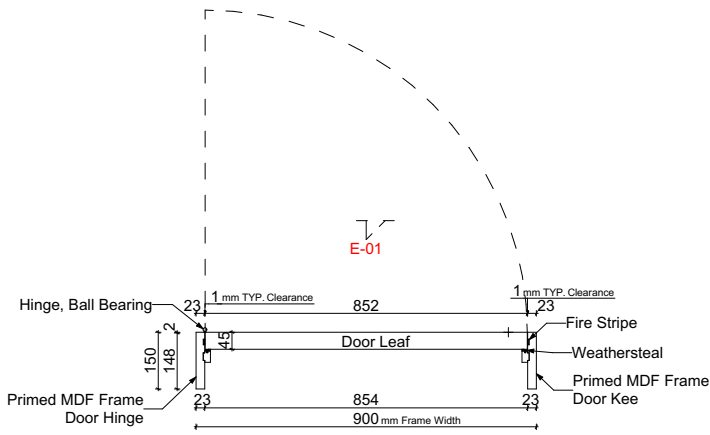
Elevation 01



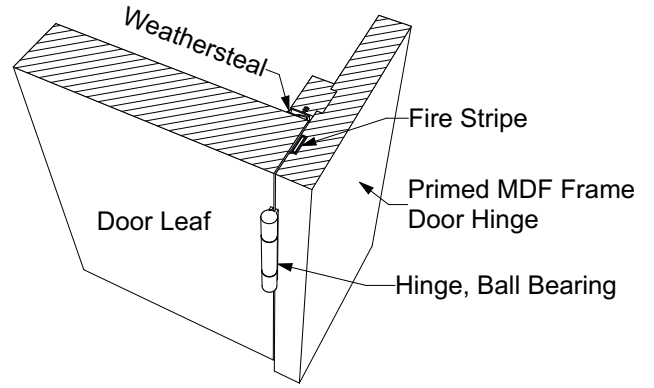
Section A-A



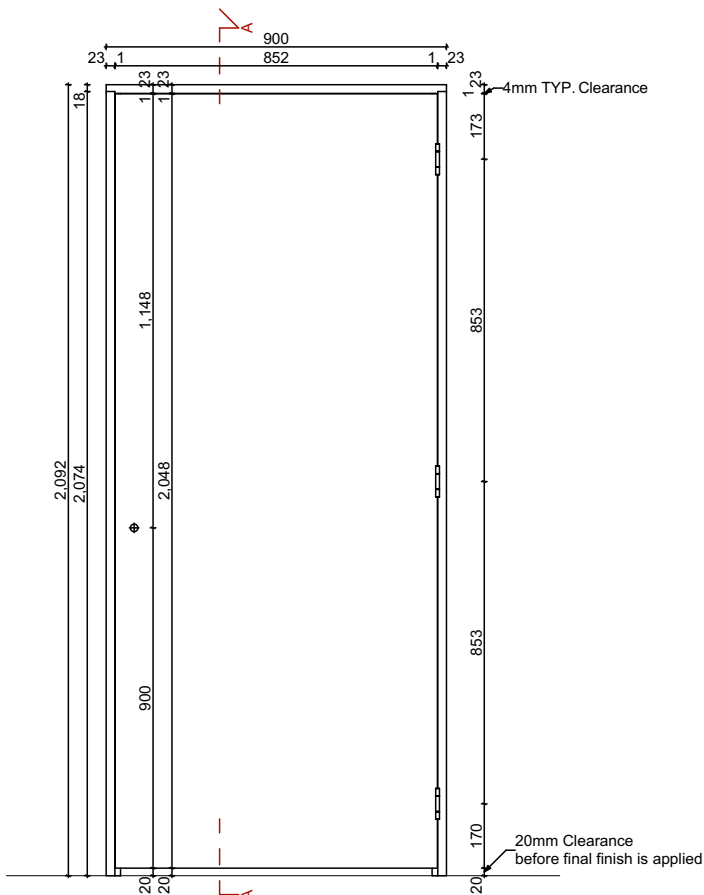
# Interior Door\_Type 2



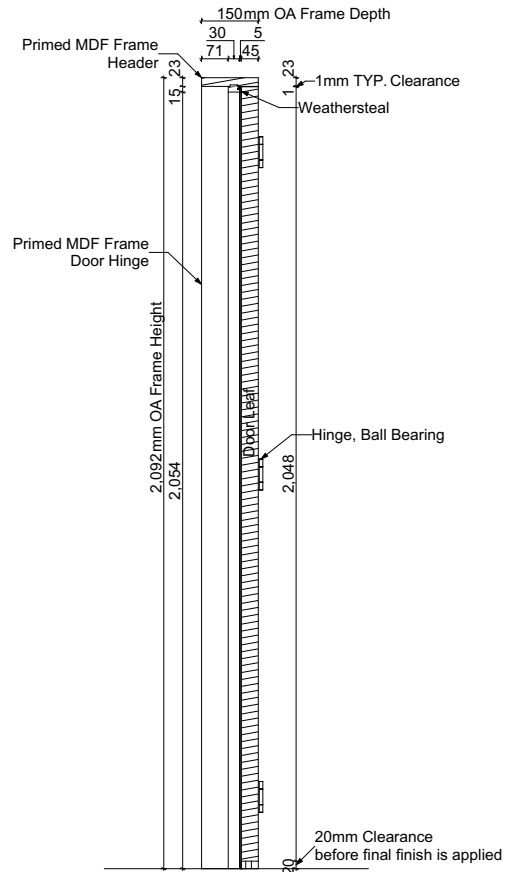
Plan



Detail view - Iso view



Elevation 01



Section A-A

