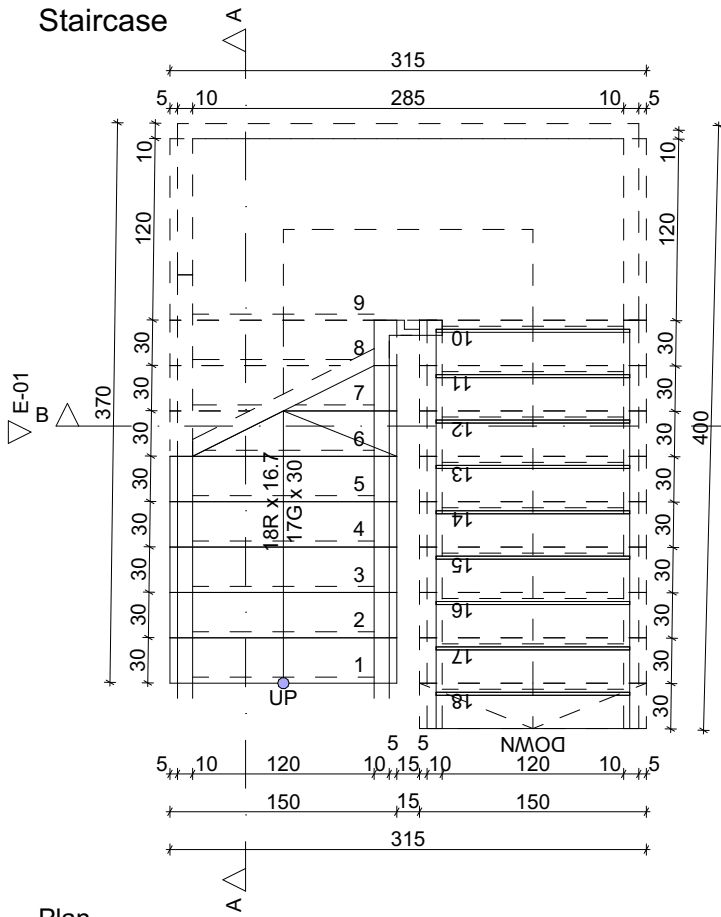
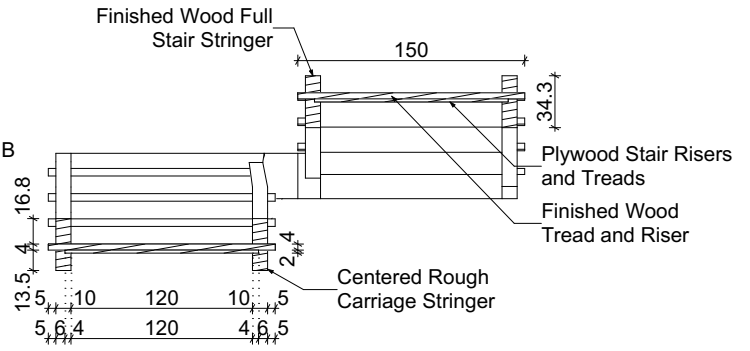


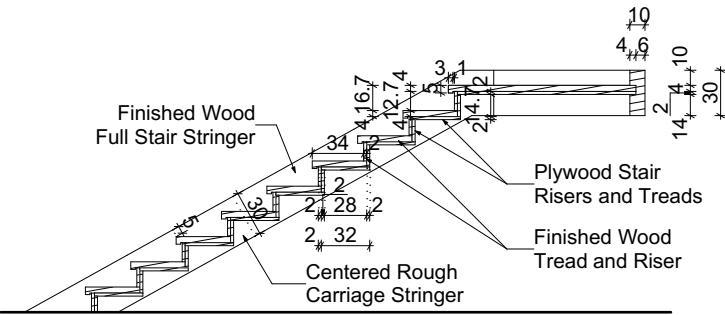
# Staircase



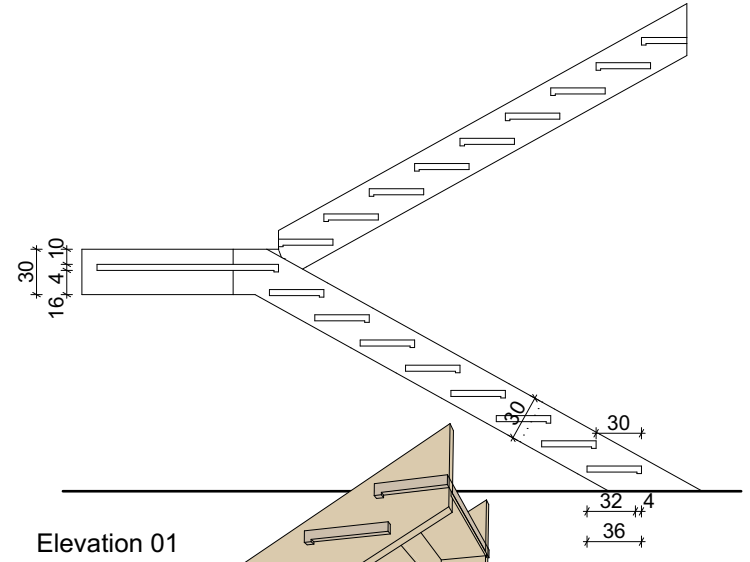
Plan



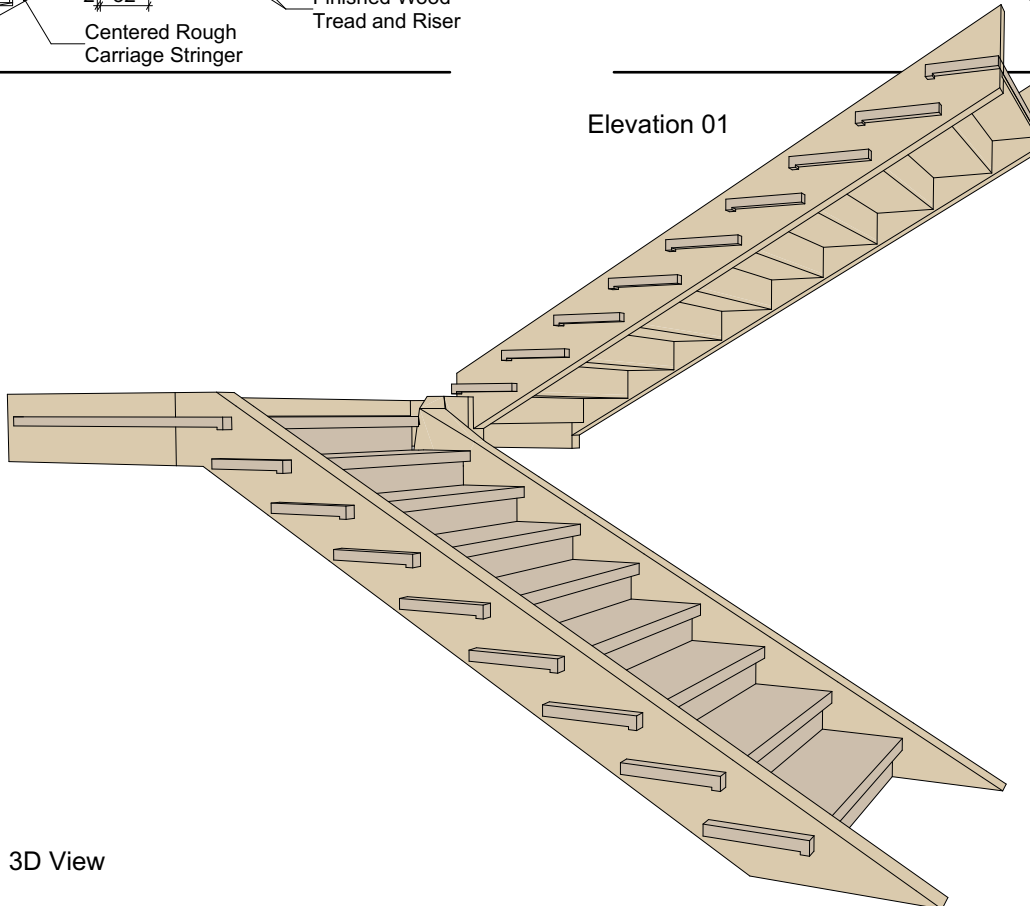
Section B-B



Section A-A



Elevation 01



3D View