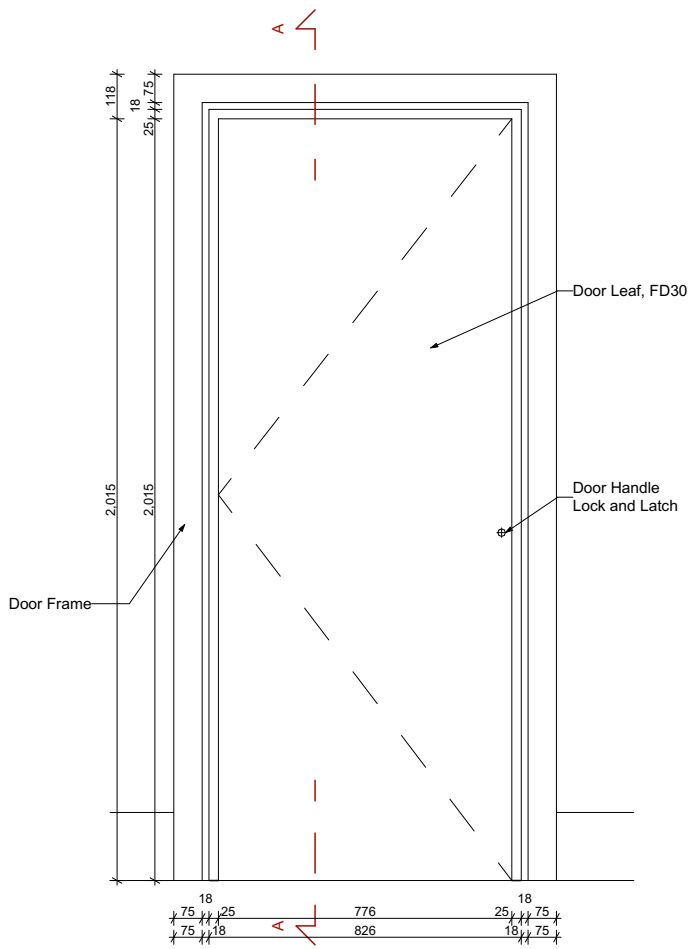
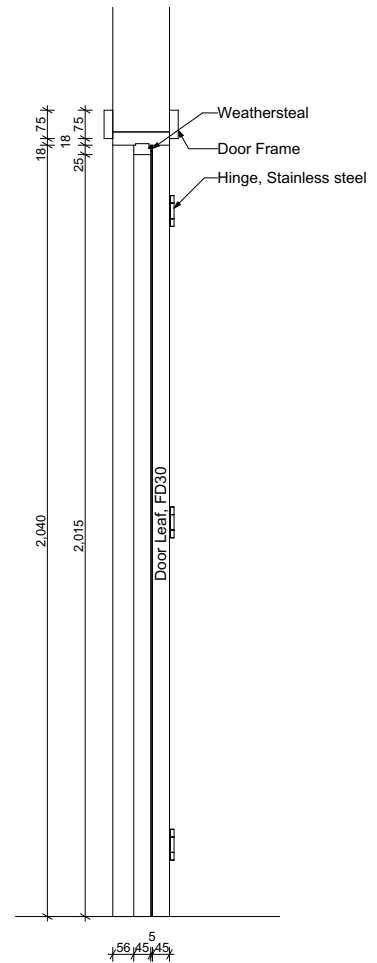


Plan

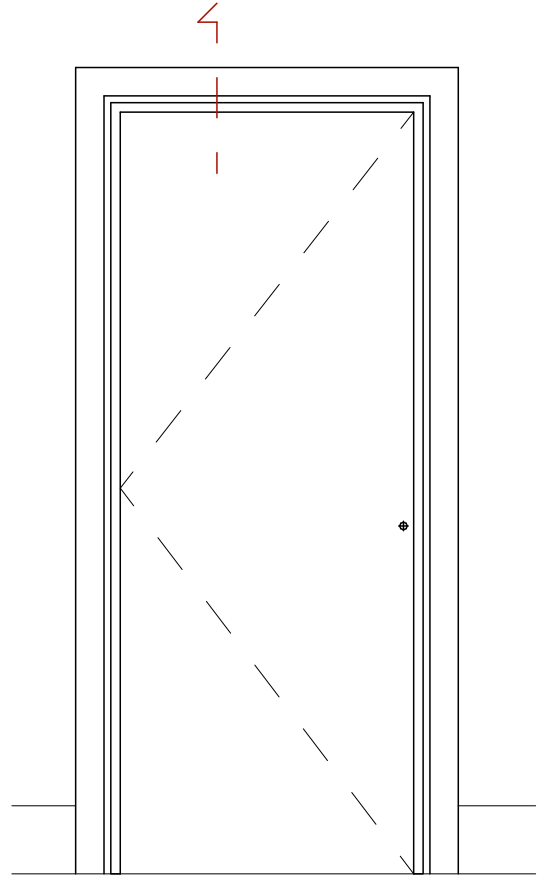
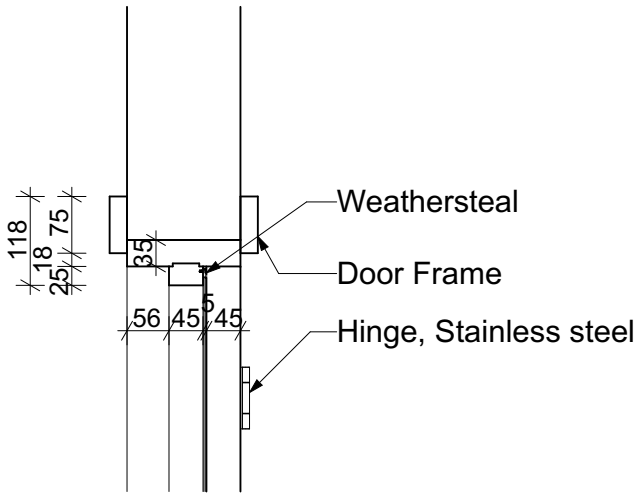


Elevation 01



Section A-A

Head Section



Jamb Section

